

Always there to help you

Register your product and get support at  
www.philips.com/welcome

HD2105  
HD2108

Question?  
Contact  
Philips

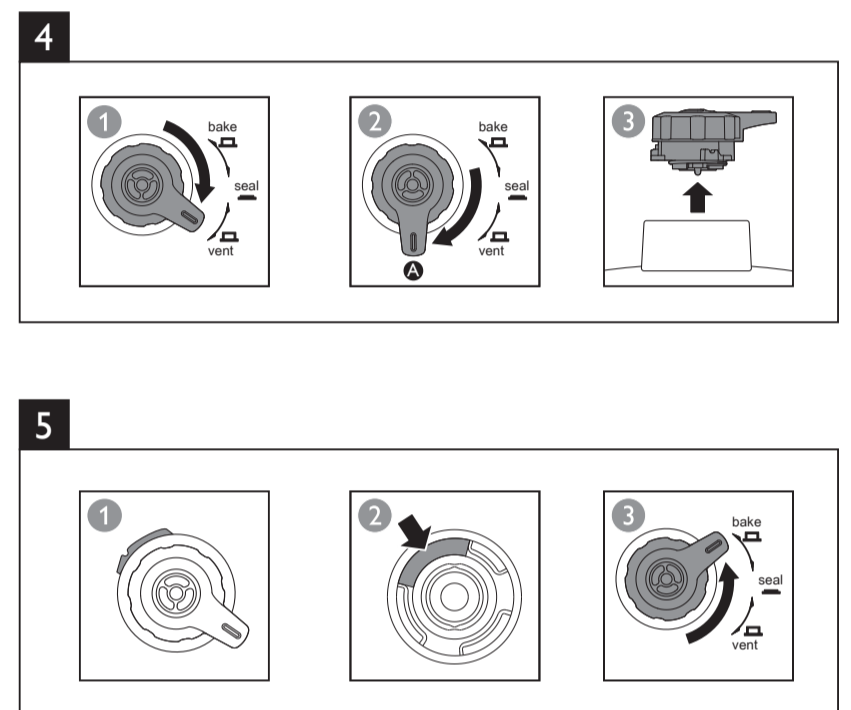
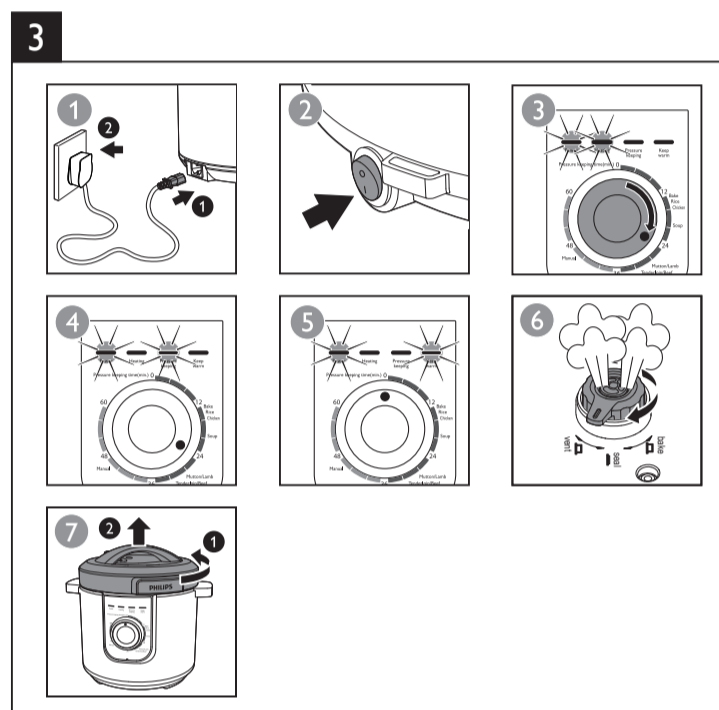
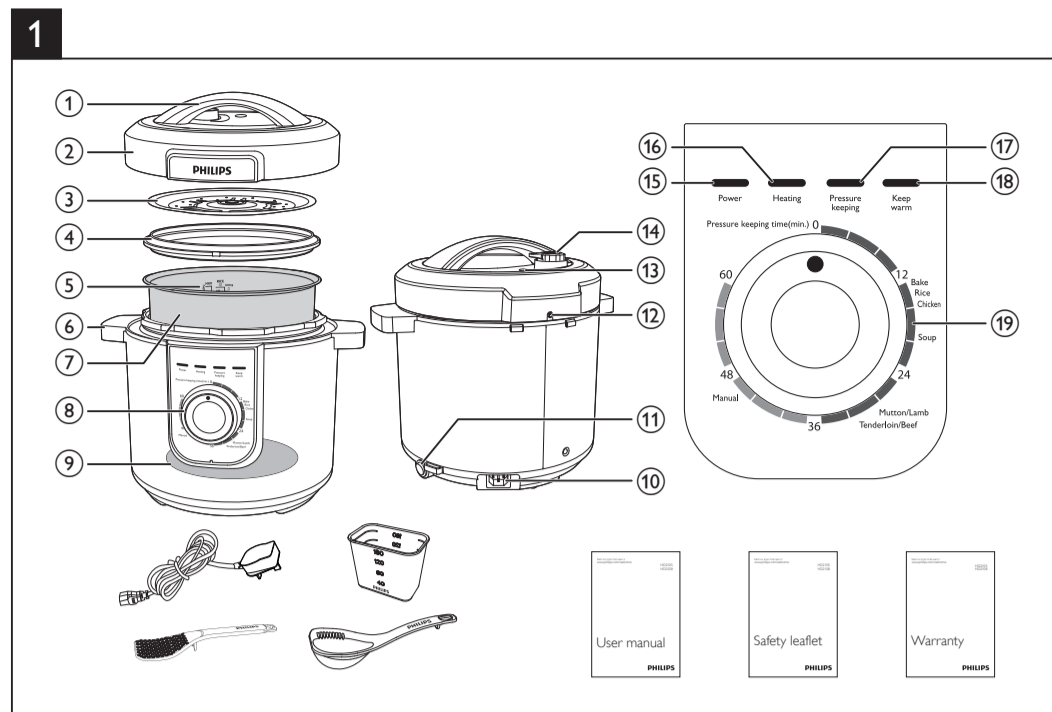


EN User manual

راهنمای کاربر FA

دليل المستخدم AR

PHILIPS



Specifications are subject to change without notice  
© 2013 Koninklijke Philips Electronics N.V.  
All rights reserved.

HD2105\_HD2108\_UM\_V1.0\_130514



## English

### 1 Your electric pressure cooker

Congratulations on your purchase, and welcome to Philips!  
To fully benefit from the support that Philips offers, register your product at www.Philips.com/welcome.

### 2 What's in the box (fig.1)

Electric pressure cooker main unit  
Soup ladle  
User manual  
Warranty card

Rice spoon  
Measuring cup  
Safety leaflet  
Power cord

### 3 Overview

① Lid handle	⑧ Control Panel
② Top lid	⑨ Heating element
③ Detachable inner lid	⑩ Power socket
④ Sealing ring	⑪ On/Off switch (I/O)
⑤ Water level indications	⑫ Locking pin
⑥ Side handle	⑬ Floating valve
⑦ Inner pot	⑭ Pressure regulator valve

### Controls overview

⑮ Power indicator	⑰ Keep warm indicator
⑯ Heating indicator	⑱ Pressure keeping time settings
⑲ Pressure keeping indicator	

### 4 Using the electric pressure cooker

#### Before first use

- 1 Remove all packaging materials from the appliance.
- 2 Take out all the accessories from the inner pot.
- 3 Clean the parts of the electric pressure cooker thoroughly before using it for the first time (see chapter 'Cleaning and Maintenance').

#### Note

- Make sure all parts are completely dry before you start using the electric pressure cooker.

#### Preparations before cooking (fig.2)

Before using the electric pressure cooker to cook food, you need to follow below preparations:

- 1 Hold the lid handle and turn it anti-clockwise until the top lid cannot move any more, then lift up the top lid.
- 2 Take out the inner pot from the electric pressure cooker and put the pre-washed food ingredients in the inner pot.
- 3 Wipe the outside of the inner pot dry, then put the inner pot back into the electric pressure cooker.
- 4 Place the top lid onto the electric pressure cooker and turn it clockwise to close it. When the top lid is properly closed, you will hear a "click" sound.
- 5 Turn the pressure regulator to the sealed position (seal).

#### Note

- Make sure the sealing ring is properly assembled around the inside of the top lid.
- Make sure the pressure regulator valve and floating valve are clean and not blocked.
- Make sure the outside of the inner pot is dry and clean, and that there is no foreign residue on the heating element.
- Make sure the inner pot is in proper contact with the heating element.

#### Cooking food (fig.3)

#### Note

- Do not fill the inner pot with less than 1/3 or more than 2/3 full of food and liquid.
- For food that expands during cooking, do not fill the inner pot with more than 1/2 full of food and liquid.
- For rice cooking, follow the water level indications on the inside of the inner pot. You may also adjust the water level for different types of rice and your own preference. Do not exceed the maximum quantities indicated on the inside of the inner pot.
- Before cooking, make sure that the floater falls down naturally.

- 1 Follow the steps in 'preparations before cooking'.
- 2 Put the plug in the power socket, then turn the power switch to the ON position (I).  
↳ The power indicator (Power) lights up.
- 3 Turn the control knob clockwise to choose the desired pressure keeping time.  
↳ The heating indicator (Heating) lights up.  
↳ The electric pressure cooker starts heating and pressurizing.
- 4 When the electric pressure cooker reaches the working pressure:  
↳ the pressure keeping indicator (Pressure keeping) lights up.  
↳ the electric pressure cooker enters pressure keeping mode.
- 5 When the pressure keeping time has elapsed, the electric pressure cooker automatically switches to keep warm mode.  
↳ The keep warm indicator (Keep warm) lights up.
- 6 Turn the pressure regulator to the vent position (vent).  
↳ The electric pressure cooker starts releasing pressure.  
↳ The floater drops when the pressure is released sufficiently.
- 7 Hold the top lid handle and turn it anti-clockwise until it cannot move any more, then lift it up.

#### Note

- When cooking soup or viscous liquid, do not release pressure by turning the pressure regulator to the steam vent position, otherwise liquid might spurt from the pressure regulator valve. Wait until the pressure is naturally released and the floater has dropped to open the top lid.
- The pressure keeping timer will start counting down when the working pressure has been reached.
- You can use the electric pressure cooker to bake food such as vegetable, meat, seafood, chop and lobster without adding water in the inner pot. When doing so, make sure to turn the pressure regulator to the baking position (bake).
- After the cooking is finished and the pressure is released, turn the power switch to the off position "O" and unplug the electric pressure cooker to turn off the keep warm function or when not in use.

#### Tip

- Choose the desired pressure keeping time according to the time indicated around the control knob. You can also adjust the pressure keeping time for different types of food and your own preference.

### Assembling and disassembling the pressure regulator (fig.4 & 5)

#### Warning

- Do not disassemble the pressure regulator valve during cooking. Always unplug the electric pressure cooker and wait until the pressure has been released sufficiently to do so.

- Disassemble the pressure regulator (fig.4):
- 1 Turn the pressure regulator clockwise (fig.4-1) until it can not move any more to reach position A (fig.4-2).
  - 2 Pull the pressure regulator up (fig.4-3).
- Assemble the pressure regulator (fig.5):
- 1 Replace the pressure regulator on the pressure regulator chamber.
  - 2 Place the maximum convex pad (fig.5-1) to the maximum notch (fig.5-2) in the pressure regulator chamber. Make sure the maximum convex pad is well fitted in the maximum notch.
  - 3 Turn the pressure regulator anti-clockwise to the baking position (bake) until it cannot move anymore (fig.5-3). You will hear a "click" sound when the pressure regulator is properly assembled.

#### Recommended pressure keeping time

Cooking function	Recommended pressure keeping time (minute)
Bake (Bake)	14-18
Rice (Rice)	12-15
Chicken (Chicken)	20-24
Soup (Soup)	12-24
Mutton/Lamb (Mutton/Lamb)	24-36
Tenderloin/Beef (Tenderloin/Beef)	24-36
Manual (Manual)	36-60

### 5 Cleaning and Maintenance

#### Note

- Unplug the electric pressure cooker before starting to clean it.
- Wait until the electric pressure cooker has cooled down sufficiently before cleaning it.

#### Interior

- Inside of the top lid and the main body:
- Wipe with wrung out and damp cloth.
  - Make sure to remove all the food residues stuck to the electric pressure cooker.
- Heating element:
- Wipe with wrung out and damp cloth.
  - Remove food residues with wrung out and damp cloth.
- Sealing ring:
- Soak in warm water and clean with sponge.
- Inner lid:
- Remove the detachable inner lid. Soak it in warm water and clean with sponge.

#### Exterior

- Surface of the top lid and outside of the main body:
- Wipe with a cloth dampened with soap water.
  - Only use soft and dry cloth to wipe the control panel.
  - Make sure to remove all the food residues around the pressure regulator valve and floating valve.

Pressure regulator valve and floating valve:

- Disassemble the pressure regulator, soak it in warm water, and clean with sponge.
- Remove food residues in the pressure regulator valve and floating valve.

#### Accessories

Measuring cup, rice spoon, soup ladle, and inner pot:

- Soak in hot water and clean with sponge.

### 6 Environment

Do not throw away the appliance with normal household waste at the end of its life, but hand it in at an official collection point for recycling. By doing this, you can help to preserve the environment.



### 7 Guarantee and service

If you need service or information, or if you have a problem, visit the Philips website at www.philips.com or contact the Philips Customer Care Center in your country. You can find its phone number in the worldwide guarantee leaflet. If there is no Customer Care Center in your country, go to your local Philips dealer.

### 8 Specifications

Model Number	HD2105	HD2108
Rated power output	900W	1000W
Rated capacity	5.0L	6.0L
Pressure keeping time	0-60 minutes	0-60 minutes

### 9 Troubleshooting

If your electric pressure cooker does not function properly or if the cooking quality is insufficient, consult the table below. If you are unable to solve the problem, contact a Philips service center or the Consumer Care Center in your country.

Problem	Solution
I have difficulties closing the top lid.	The sealing ring is not well assembled. Make sure the sealing ring is well assembled around the inside of the top lid. The floater blocks the locking pin. Push down the floater so that it does not block the locking pin.
I have difficulties opening the top lid after the pressure is released.	The floater has not dropped. Push the floater down.
The food is not cooked.	Make sure that there is no foreign residue on the heating element and the outside of the inner pot before switching the electric pressure cooker on. The heating element is damaged, or the inner pot is deformed. Take the cooker to your Philips dealer or a service center authorized by Philips.
Air or steam leaks from under the lid.	The sealing ring is not well assembled. Make sure the sealing ring is well assembled around the inside of the top lid. There is food residue in the sealing ring. Make sure the sealing ring is clean. The top lid is not properly closed. Make sure the top lid is properly closed.

