

VACdynamic 1.8



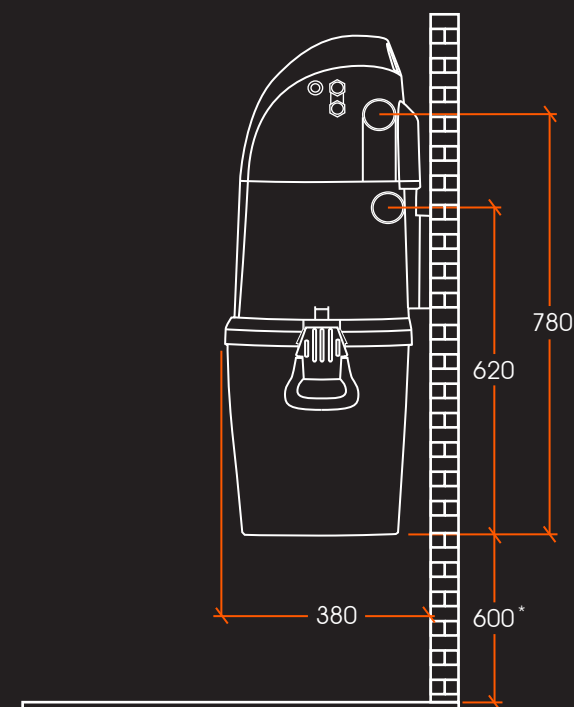
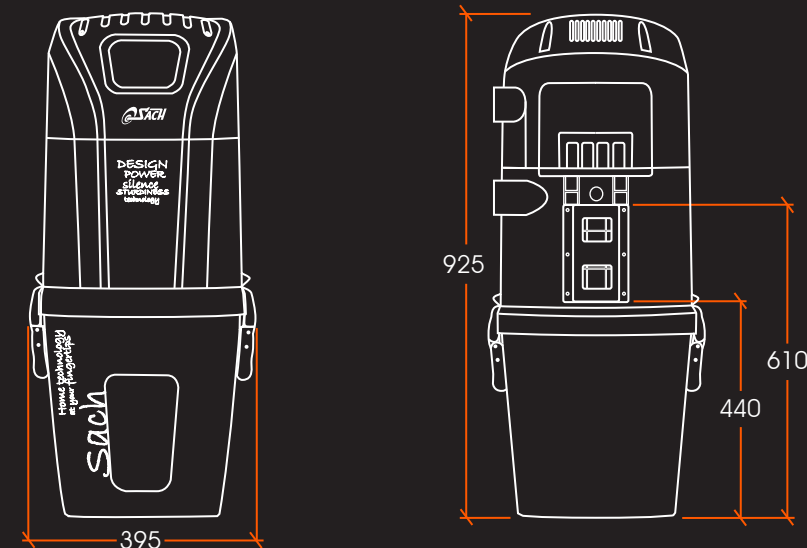
TECHNICAL CHARACTERISTICS

Power (W)	1800
Air-flow (m ³ /h)	210
Waterlift (mm/H ₂ O)	3300
Airwatts	643
HEPA filter surface area (cm ²)	6000
HEPA filter surface area (cm ²)	1300
Bin Capacity (L)	28
Noise level (dB)	≤60
Weight (kg)	16

High speed By-Pass peripheral motor

RECOMMENDATIONS FOR INSTALLATION

Dwelling size in m ²	≤500
Furthest valve from the unit (lm)	50
Maximum number of inlet valves	12



* Minimum space recommended to allow the dust container to be emptied comfortably.