

Register your product and get support at
www.philips.com/welcome

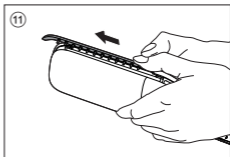
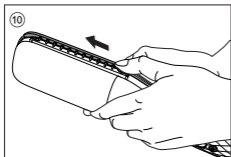
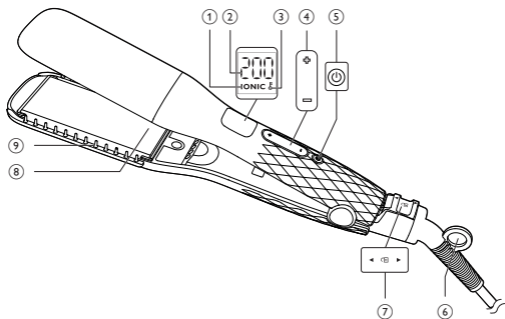
HP8346



EN User manual

PHILIPS

1



Congratulations on your purchase, and welcome to Philips! To fully benefit from the support that Philips offers, register your product at www.philips.com/welcome.

1 Important

Read this user manual carefully before you use the appliance and keep it for future reference.

- **WARNING:** Do not use this appliance near bathtubs, showers, basins or other vessels containing water.
- If the mains cord is damaged, you must have it replaced by Philips, a service centre authorised by Philips or similarly qualified persons in order to avoid a hazard.



- This appliance can be used by children aged from 8 years and above and persons with reduced physical, sensory or mental capabilities or lack of experience and knowledge if they have been given supervision or instruction concerning use of the appliance in a safe way and understand the hazards involved. Children shall not play with the appliance. Cleaning and user maintenance shall not be made by children without supervision.

- Children should be supervised to ensure that they do not play with the appliance.
- For additional protection, we advise you to install a residual current device (RCD) in the electrical circuit that supplies the bathroom. This RCD must have a rated residual operating current not higher than 30mA. Ask your installer for advice.
- **WARNING:** To provide you with better performance, this straightener has extreme heat capabilities. Extra care should be taken when using it. It is recommended to only hold appliance by the handle.
- **WARNING:** As straighteners reach high temperatures, keep them out of the reach of children during heat-up, use and cool-down to avoid burnings.
- **WARNING:** Do not use this appliance near water.

- When the appliance is used in a bathroom, unplug it after use since the proximity of water presents a risk, even when the appliance is switched off.
 - Before you connect the appliance, ensure that the voltage indicated on the appliance corresponds to the local power voltage.
 - Do not use the appliance for any other purpose than described in this manual.
 - Only use the appliance on dry hair. Do not use the appliance on artificial hair.
 - Keep the hot surfaces of the appliance away from your skin.
 - When the appliance is connected to the power, never leave it unattended.
 - Do not insert any objects into the appliance.
 - Do not probe the ion outlet openings with metal objects.
 - Always unplug the appliance after use.
 - When the appliance is hot, keep it on a heat-resistant surface and never cover the appliance with anything, such as a towel or clothing.
 - Never use any accessories or parts from other manufacturers or that Philips does not specifically recommend. If you use such accessories or parts, your guarantee becomes invalid.
 - Do not wind the mains cord around the appliance.
 - If you use the appliance on color-treated hair, the heating plates may stain.
-

Electromagnetic fields (EMF)

This appliance complies with all standards regarding electromagnetic fields (EMF). If handled properly and according to the instructions in this user manual, the appliance is safe to use based on scientific evidence available today.

Environment

Do not throw away the appliance with the normal household waste at the end of its life, but hand it in an official collection point for recycling. By doing this, you help to preserve the environment.



2 Straighten your hair

Preparation for hair

- Wash hair with shampoo and conditioner
- Use heat protection product and comb your hair with large-toothed comb
- Blow dry your hair with a brush

Removable combs

The appliance provides you with special removable combs (⑨). The combs can detangle and spread your hair onto the plates while straightening.

To maintain good straightening performance, the combs are well attached to the straightener. It may require a bit more force to take out the comb. To remove it, simply hold onto the straightener with two hands and push it out with your thumbs as illustrated (⑩ , ⑪).

Tip: Before you start, you may also remove either one or both combs as you like.


Usage

Ensure that you select a temperature setting that is suitable for your hair. Please refer to the Hair Type table at the end of the chapter.

Always select a low setting when you use the straightener for the first time.

Tip

- It is suggested to keep the heating plates locked before use.

- 1 Connect the plug to a power supply socket.
- 2 Press and hold the  button (⑤) until the display screen lights up.
↳ The default temperature setting 160°C is displayed (②).
- 3 Press the $+$ or $-$ buttons (④) to select your desired temperature setting.
↳ When the heating plates are heating up, the temperature digits will blink.
↳ When the heating plates have reached the selected temperature, the temperature digits stop blinking.

ThermoGuard

ThermoGuard prevents you from unintentional heat exposure above 200°C. When you increase the temperature above 200°C, the temperature will increase only 5°C by each step.

- 4 The ion function is activated when the appliance is switched on, which provides additional shine and reduces frizz.
↳ The ion indicator (①) is displayed.
↳ You may smell a special odor and hear a sizzling sound. It is common because they are caused by the ion generator.

5 Slide the closing lock (⑦) downwards to unlock the appliance.

6 After the straightener is switched on, the keys are automatically locked if no button is pressed for 15 sec. Subsequently, the keys are locked if no button is pressed for 5 sec.

To unlock the appliance, press $+$ for 1 sec .

7 Comb your hair and then start by clipping your blow dried hair into sections not wider than 5cm.

Note: For thicker hair, it is suggested to create more sections.

8 Place a section of hair in between the heating plates (⑧) and press the handles firmly together.

Note: Cool down the appliance before you remove or install either one or both combs.

9 Slide the straightener down the length of the hair in a single motion (max. 5 sec) from root to end, without stopping to prevent overheating.

↳ If you are straightening with either one or both combs, you may feel the combs help to detangle and spread hair onto the plates for a more efficient straightening.

10 To straighten the rest of your hair, repeat step 7 to 9 until you achieve your desired look.

11 To finish your hair styling, mist with a shine spray or flexible hold hairspray.

Tip: Do not brush your hair while setting your hair style.

Note: The appliance has auto-shut off function. It switches off automatically after 60 minutes.

After use:

1 Switch off the appliance and unplug it.

2 Place it on a heat-resistant surface.

3 Clean the appliance and heating plates by damp cloth.

4 Close the heating plates (⑧) and slide the closing lock (⑦) upwards to lock the appliance.

5 Keep it in the pouch in a safe and dry place, free of dust. You can also hang it with the hanging loop (⑥).



Tip

- Use straightener only when your hair is dry.
- Frequent users are recommended to use heat protection spray before straightening.

Hair Type	Temperature Setting
Coarse, curly, hard-to-straighten	Mid to High (180 °C and above)
Fine, medium-textured or softly waved	Low to Mid (150 °C to 180 °C)
Pale, blonde, bleached or color-treated	Low (Below 150 °C)

3 Guarantee and service

If you need information e.g. about replacement of an attachment or if you have a problem, please visit the Philips website at www.philips.com or contact the Philips Customer Care Centre in your country (you find its phone number in the worldwide guarantee leaflet). If there is no Consumer Care Centre in your country, go to your local Philips dealer.



All registered and unregistered trademarks are property of their respective owners.

© 2012 Koninklijke Philips Electronics N.V.

All rights reserved.

3140 035 31113

