



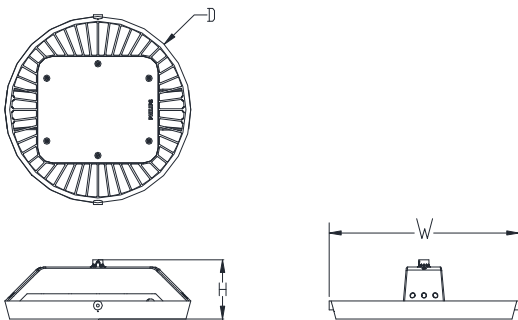
GreenPerform Highbay Gen2

Ideal for factories, warehouses, distribution centres, and light industrial. Philips GreenPerform LED highbay Gen2 is designed to replace 250W and 400W HID highbays, offering up to 60% energy savings, whilst delivering long lifetime, in often hard to reach maintenance areas. Gen2 version sees a reduction in glare by up to 20%, as well as a wide variety of light outputs, from 9,000 lm, all the way up 24,000 lm.



Features and Benefits

- Best energy-efficiency : System efficacy>100lm/W, 1:1 replacement of 400/250W HPI
- Comfortable light: CRI increase to 85 for all colour temperature
- Optimal lighting effects: new light platform & optical design reduce 20% glare
- Versatile applications: multiple mounting options (hook/pipe/ bracket)
- Advanced control interface: 1~10V / DALI dimming option integrated for solution selling (selected models only)
- Robust & Reliable: IP65 protection and 50K hours system life time
- Wider Industry Application: Available in both Tempered Glass Cover and PC Cover
- Easy to Install: Equipped with 3m long power cord & IP65 connector
- Reduced Weight: Max 9.5 kg



Model	W (mm)	D (mm)	H (mm)
BY687P	530	ø520	165
BY688P	466	ø457	158
BY689P	374	ø366	153

Dimensions in mm (Nominal)

GREENPERFORM HIGHBAY GEN2

Family name	GreenPerform Highbay Gen2
Lumen/Watt	BY687P - 240W, 200W (Big size) BY688P - 160W, 140W (Medium size) BY689P - 100W, 90W (Small size)
Lamp Colour	24,000lm/ 240W 20,000lm/ 200W 16,000lm/ 160W 14,000lm/ 140W 10,000lm/ 100W 9,000lm/ 90W
CCT	4000K, 6500K
Colour Rendering Index (CRI)	85
Wiring	IP65 Connector
*Lifetime (L70)	50,000hrs
Unified Glare Ratio (UGR)	25
Optics	WB, NB, HRO

Driver	Philips Xitanium LED Driver
Dimmable	PSU (Fixed), PSR (1-10V selected), PSD (Dali selected)
Installation	Hook/ Pole/ Bracket
IP rating	IP65
IK Rating	IK07
Weight	BY687P - 9.5kg BY688P - 7kg BY689P - 5kg
Colour of housing	Silvery grey, high quality die-cast aluminium
Application	Industry, Commercial & Convention
Accessories	Mounting Bracket
Suspension Height - min/max	NA
Maximum Run Length	NA

* = When the fitting reaches 70% of full potential (new)



GreenPerform Highbay Gen2 continued

COMMERCIAL CODE	I2NC	DESCRIPTION
BIG SIZE		
BY687P240WL6KRW	911401568511	BY687P LED240/CW PSR S-WB L3000
BY687P240WL6KRN	911401568811	BY687P LED240/CW PSR S-NB L3000
BY687P240WL6KRH	911401569011	BY687P LED240/CW PSR S-HRO L3000
BY687P240WL4KRW	911401568911	BY687P LED240/NW PSR S-WB L3000
BY687P240WL4KRN	911401569111	BY687P LED240/NW PSR S-NB L3000
BY687P240WL4KRH	911401568711	BY687P LED240/NW PSR S-HRO L3000
BY687P200WL6KRW	911401568611	BY687P LED200/CW PSR S-WB L3000
BY687P200WL6KRN	911401569311	BY687P LED200/CW PSR S-NB L3000
BY687P200WL6KRH	911401569611	BY687P LED200/CW PSR S-HRO L3000
BY687P200WL4KRW	911401569511	BY687P LED200/NW PSR S-WB L3000
BY687P200WL4KRN	911401569411	BY687P LED200/NW PSR S-NB L3000
BY687P200WL4KRH	911401569211	BY687P LED200/NW PSR S-HRO L3000
BY617ZMB	911401568411	BY617Z MB
MEDIUM SIZE		
BY688PI60WL6KFW	911401567111	BY688P LED160 L3000/CW PSU S-WB
BY688PI60WL6KFN	911401567211	BY688P LED160 L3000/CW PSU S-NB
BY688PI60WL6KFH	911401567311	BY688P LED160 L3000/CW PSU S-HRO
BY688PI60WL4KFW	911401567411	BY688P LED160 L3000/NW PSU S-WB
BY688PI60WL4KFN	911401567511	BY688P LED160 L3000/NW PSU S-NB
BY688PI60WL4KFH	911401567611	BY688P LED160 L3000/NW PSU S-HRO
BY688PI40W6KRW	911401535411	BY688P LED 140/CW PSR S-WB
BY688PI40W6KRN	911401535711	BY688P LED 140/CW PSR S-NB
BY688PI40W4KRW	911401536111	BY688P LED 140/NW PSR S-WB
BY688PI40W4KRN	911401535811	BY688P LED 140/NW PSR S-NB
BY618ZMB	911401578801	BY618Z MB
SMALL SIZE		
BY689PI00WL6KFW	911401568311	BY689P LED100 L3000/CW PSU S-WB
BY689PI00WL6KFN	911401568111	BY689P LED100 L3000/CW PSU S-NB
BY689PI00WL6KFH	911401567911	BY689P LED100 L3000/CW PSU S-HRO
BY689PI00WL4KFW	911401568011	BY689P LED100 L3000/NW PSU S-WB
BY689PI00WL4KFN	911401567811	BY689P LED100 L3000/NW PSU S-NB
BY689PI00WL4KFH	911401567711	BY689P LED100 L3000/NW PSU S-HRO
BY689P90W6KFW	911401536811	BY689P LED90/CW PSU S-WB
BY689P90W6KFN	911401536911	BY689P LED90/CW PSU S-NB
BY689P90W4KFW	911401536311	BY689P LED90/NW PSU S-WB
BY689P90W4KFN	911401535911	BY689P LED90/NW PSU S-NB
BY619ZMB	911401578701	BY619Z MB