

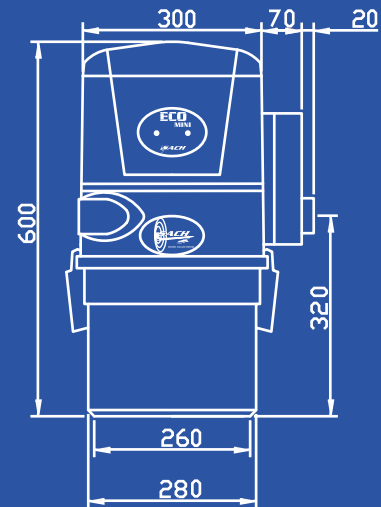
ECO MINI

TECHNICAL CHARACTERISTICS

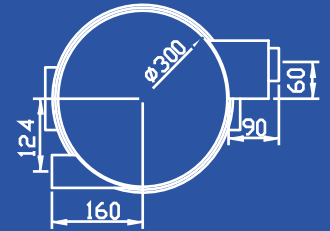
POWER (W)	1400
AIRFLOW (m ³ /H)	144
WATER LIFT (mm/H ₂ O)	2700
BIN CAPACITY (L)	12
WEIGHT (kg)	11
NOISE LEVEL (dB)	62
HIGH SPEED BYPASS TANGENTIAL MOTOR	



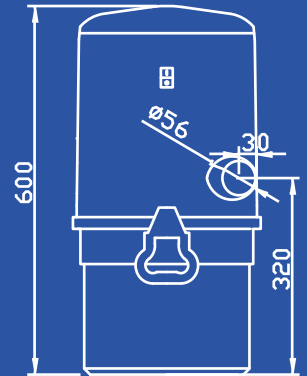
FRONT VIEW



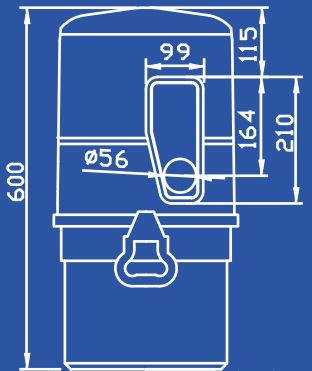
VIEW FROM ABOVE



SIDE VIEW



SIDE VIEW



RECOMMENDATIONS FOR INSTALLATION

DWELLING SIZE IN m ²	< 250
FURTHEST VALVE FROM THE UNIT (ml)	30
NUMBER OF VALVES	4-5