

# Always there to help you

Register your product and get support at  
[www.philips.com/welcome](http://www.philips.com/welcome)



DS7580/10



## User manual

# PHILIPS

# Contents

---

<b>1 Important</b>	2
Safety	2
Notice	2

---

<b>2 Your Docking Speaker</b>	4
Introduction	4
What's in the box	4
Overview of the main unit	4

---

<b>3 Get started</b>	5
Prepare the docking speaker	5
Connect power	5
Turn on	5

---

<b>4 Play</b>	6
Play from iPod/iPhone	6
Play from an external device	6
Adjust volume level	6

---

<b>5 Product information</b>	7
Specifications	7

---

<b>6 Troubleshooting</b>	8
--------------------------	---

# 1 Important

the disconnect device shall remain readily operable.

---

## Safety

---

### Important Safety Instructions

- Heed all warnings.
- Follow all instructions.
- Do not use this apparatus near water.
- Clean only with dry cloth.
- Do not block any ventilation openings. Install in accordance with the manufacturer's instructions.
- Do not install near any heat sources such as radiators, heat registers, stoves, or other apparatus (including amplifiers) that produce heat.
- Protect the power cord from being walked on or pinched, particularly at plugs, convenience receptacles, and the point where they exit from the apparatus.
- Only use attachments/accessories specified by the manufacturer.
- Unplug this apparatus during lightning storms or when unused for long periods of time.
- Refer all servicing to qualified service personnel. Servicing is required when the apparatus has been damaged in any way, such as power-supply cord or plug is damaged, liquid has been spilled or objects have fallen into the apparatus, the apparatus has been exposed to rain or moisture, does not operate normally, or has been dropped.
- Apparatus shall not be exposed to dripping or splashing.
- Do not place any sources of danger on the apparatus (e.g. liquid filled objects, lighted candles).
- Where the MAINS plug or an appliance coupler is used as the disconnect device,



### Warning

- Never remove the casing of this apparatus.
- Never lubricate any part of this apparatus.
- Never place this apparatus on other electrical equipment.
- Keep this apparatus away from direct sunlight, naked flames or heat.
- Make sure that you always have easy access to the power cord, plug or adaptor to disconnect the apparatus from the power.

---

## Notice

Any changes or modifications made to this device that are not expressly approved by Philips Consumer Lifestyle may void the user's authority to operate the equipment.



This product complies with the radio interference requirements of the European Community.



Your product is designed and manufactured with high quality materials and components, which can be recycled and reused.



When this crossed-out wheeled bin symbol is attached to a product it means that the product is covered by the European Directive 2002/96/EC.

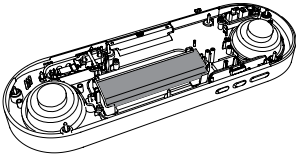
Please inform yourself about the local separate collection system for electrical and electronic products.

Please act according to your local rules and do not dispose of your old products with your normal household waste. Correct disposal of your old product helps to prevent potential negative consequences for the environment and human health.



Your product contains batteries covered by the European Directive 2006/66/EC, which cannot be disposed with normal household waste. Please inform yourself about the local rules on separate collection of batteries because correct disposal helps to prevent negative consequences for the environmental and human health.

Always bring your product to a professional to remove the built-in battery.



### Environmental information

All unnecessary packaging has been omitted. We have tried to make the packaging easy to separate into three materials: cardboard (box), polystyrene foam (buffer) and polyethylene (bags, protective foam sheet.)

Your system consists of materials which can be recycled and reused if disassembled by a specialized company. Please observe the local regulations regarding the disposal of packaging materials, exhausted batteries and old equipment.



**Be responsible**  
**Respect copyrights**

The making of unauthorized copies of copy-protected material, including computer programs, files, broadcasts and sound recordings, may be an infringement of copyrights and constitute a criminal offence.

This equipment should not be used for such purposes.



“Made for iPod” and “Made for iPhone” mean that an electronic accessory has been designed to connect specifically to iPod or iPhone respectively, and has been certified by the developer to meet Apple performance standards. Apple is not responsible for the operation of this device or its compliance with safety and regulatory standards. Please note that the use of this accessory with iPod or iPhone may affect wireless performance. iPod and iPhone are trademarks of Apple Inc., registered in the U.S. and other countries.



#### Note

- The type plate is located on the bottom of the apparatus.

## 2 Your Docking Speaker

Congratulations on your purchase, and welcome to Philips! To fully benefit from the support that Philips offers, register your product at [www.philips.com/welcome](http://www.philips.com/welcome).

### Introduction

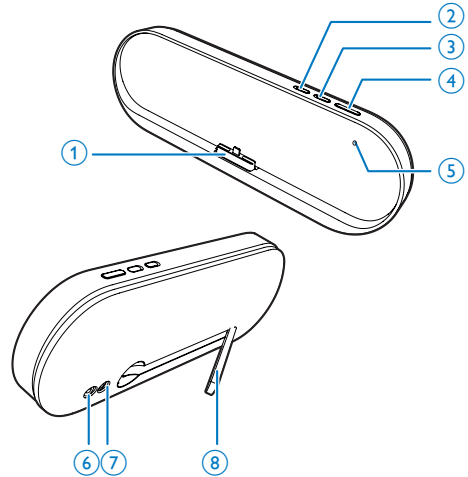
With this docking speaker, you can enjoy audio from the iPod/iPhone and other audio devices.

### What's in the box

Check and identify the contents of your package:

- Main unit
- 1 x AC adaptor
- Quick start guide
- Safety sheet

### Overview of the main unit



- ① iPod/iPhone dock
- ② **⏻**
  - Turn on/off the unit.
- ③ **DBB**
  - Turn dynamic bass boost on/off.
- ④ **VOLUME**
  - Adjust volume.
- ⑤ **LED indicator for the built-in battery**
- ⑥ **10V DC**
  - Power supply socket.
- ⑦ **AUDIO IN**
  - Connect an external audio device.
- ⑧ **Stand**

# 3 Get started

## ! Caution

- Use of controls or adjustments or performance of procedures other than herein may result in hazardous radiation exposure or other unsafe operation.

Always follow the instructions in this chapter in sequence.

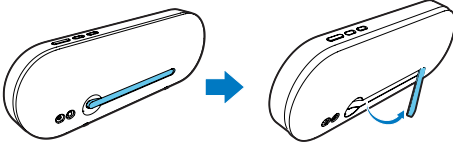
If you contact Philips, you will be asked for the model and serial number of this apparatus. The model number and serial number are on the bottom of the apparatus. Write the numbers here:

Model No. \_\_\_\_\_

Serial No. \_\_\_\_\_

## Prepare the docking speaker

Pull the stand upwards from the unfixed end.



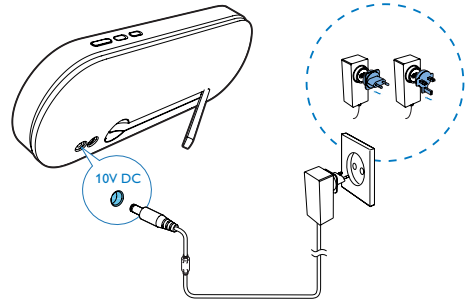
## Connect power

### ! Caution

- Risk of product damage! Make sure that the power supply voltage corresponds to the voltage printed on the back of the unit.
- Risk of electric shock! When you unplug the AC adaptor; always pull the plug from the socket. Never pull the cord.
- Before connecting the AC adaptor; Make sure that you have completed all other connections.

Connect the AC power adaptor to:

- the power supply socket on the back of the docking speaker.
- the wall power outlet.



## Built-in Battery

The docking speaker can also operate on built-in rechargeable battery.

- ↳ The speaker mute when the battery level is low.

Battery power	LED indicator
Low	Flashing fast
Medium	Flashing slowly
Full	Steadily on

### To recharge the built-in battery:

- Connect the unit to the power supply.

### ≡ Note

- Use only the supplied AC adaptor to charge the battery.

## Turn on

Slide **⓪** on the docking speaker to the ON position.

- ↳ The LED indicator turns on.

The speaker turns to standby mode when there is no audio detected for over 15 minutes.

# 4 Play

## Play from iPod/iPhone

You can enjoy audio from iPod/iPhone through this docking speaker.

### Compatible iPod/iPhone

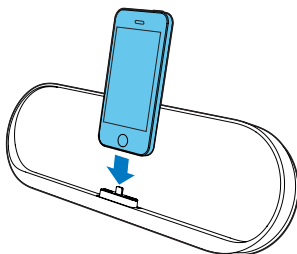
The docking speaker supports the following iPod/iPhone models.

Made for :

- iPhone 5
- iPod nano (7th generation)
- iPod touch (5th generation)

### Load the iPod/iPhone

Insert your iPod/iPhone into the dock.



#### To remove the iPod/iPhone

- Pull your iPod/iPhone out of the dock.

### Listen to the iPod/iPhone

#### Note

- Make sure that the iPod/iPhone is loaded correctly.
- Start music play in your iPod/iPhone.
  - ↳ You can hear music from this docking speaker.

## Charge the iPod/iPhone

When the docking speaker is connected to wall power outlet, the docked iPod/iPhone begins to charge.

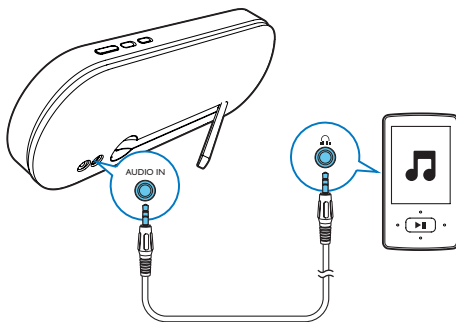
#### Tip

- You can also charge your iPod/iPhone through the built-in battery.

## Play from an external device

You can also listen to an external audio device through this docking speaker.

- 1 Connect the MP3 link cable to:
  - the audio in socket (3,5mm) on the back of the unit.
  - the headphone jack on an external device.
- 2 Start to play on the device (see the device user manual).



## Adjust volume level

- During play, press **VOL +/-** to increase or decrease the volume level.
- Slide **DBB** to the right to turn dynamic bass boost on.

# 5 Product information

## Note

- Product information is subject to change without prior notice.

## Specifications

### Amplifier

Rated Output Power	2X5 W RMS
Signal to Noise Ratio	75 dB
MP3 Link	0.6V RMS 22 kohm

### General information

AC power (power adaptor)	GFP241DA-1024B-1 Input: 100-240V~, 50/60Hz, 0.55A; Output: 10V $\equiv$ 2.4A;
Operation Power Consumption	10W
Dimensions - Main Unit (W x H x D)	310 x 105 x 41mm
Weight - Main Unit	0.65 kg

# 6 Troubleshooting

## Warning

- Never remove the casing of this apparatus.

To keep the warranty valid, never try to repair the system yourself.

If you encounter problems when using this apparatus, check the following points before requesting service. If the problem remains unsolved, go to the Philips web site ([www.philips.com/welcome](http://www.philips.com/welcome)). When you contact Philips, ensure that the apparatus is nearby and the model number and serial number are available.

### No power

- Make sure that the docking speaker is fully charged.
- Make sure that the AC power plug of the unit is connected properly.
- Make sure that there is power at the AC outlet.

### No sound

- Adjust the volume.

### No response from the unit

- Disconnect and reconnect the AC power plug, then turn on the docking speaker again.





Specifications are subject to change without notice  
© 2013 Koninklijke Philips Electronics N.V.  
All rights reserved.

DS7580\_10\_UM\_V1.0

