

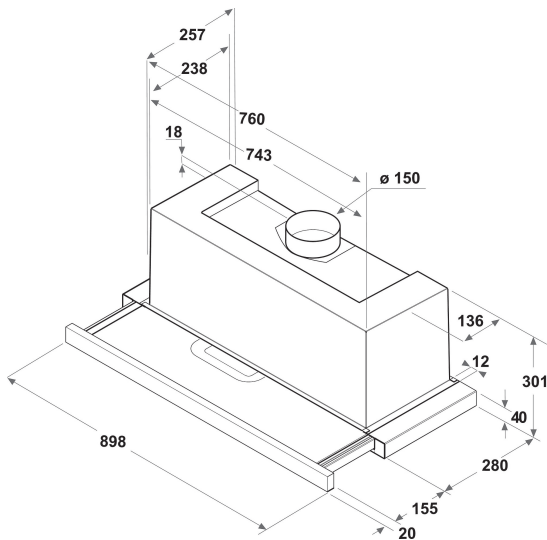
# AKR 473/1 IX

12NC: 859991551320

GTIN (EAN) code: 8003437233708

Whirlpool

SENSING THE DIFFERENCE



- Maximum noise level 66 dBA
- Air Flow (min. - max.): 288, 603, booster 735 m<sup>3</sup>/h
- Maximum extraction rate: 603 (m<sup>3</sup>/h)
- Energy class B
- Extraction / Recirculation Rate  
%Z\_REQ\_MAX\_OUT\_EXTRACTION% / 419 m<sup>3</sup>/h
- 3 speed settings + booster
- 2 LED, 5 W lamps
- 1 x 260 W motor
- Electronic Touch control
- 2 Washable stainless steel filters
- Inox Pull-Out hood
- Grease Filtering Efficiency Class: C
- Lighting Efficiency Class: A
- Fluid Dynamic Efficiency Class: B
- Operating Mode: Air extraction, Recirculating air
- Inox Finishing

## Whirlpool integrated cooker hood - AKR 473/1 IX

This Whirlpool integrated Cooker Hood features: dishwasher-safe, washable stainless steel grease filters. LED lights for ideal lighting. An outstanding cooker extractor fan, ensuring a fresh, grease-free cooking environment. New design ensuring extra silent performance.



### LED lighting

Increased energy and cost efficiency. The LED lighting system lasts 10 times longer than traditional bulbs and uses 90% less energy.



### Electronic control

Effortless control. This Whirlpool Hood includes an intuitive electronic user interface, designed to provide you with the simplest, most satisfying user experience ever.



### Stainless Steel Filter

Enjoy fresh air in your kitchen, always. This Whirlpool Hood includes a stainless steel purifying air filter, that effectively protects your kitchen from odours and grease.



### 3 Speeds

Versatile performance. This Whirlpool Hood offers 3 speed options, giving you complete control over the extraction rate.



### Built-in installation

The perfect fit. This built-in Whirlpool Hood is easy to install, and designed to fit in perfectly with your kitchen layout.



### Total annual energy consumption

Ideal performance, outstanding savings. Whirlpool Hoods are designed to provide exceptional results, while reducing energy costs.



### Carbon Filter Included

Enjoy fresh air in your kitchen, always. This Whirlpool Hood includes a carbon purifying air filter, that effectively protects your kitchen from odours and grease.



### Flexible Installation

Flexible installation options. This Whirlpool Hood can be operated in either Ducted or Recirculated mode (filter needed), so you can enjoy complete freedom when designing your kitchen.



### TIMER

Perfect timing. This Whirlpool Hood includes an intuitive timer, for added convenience.



### Booster

Odour-free cooking. This Whirlpool Hood features an extraction booster, that ensures ideal air filtration and odour and grease aspiration.

# AKR 473/1 IX

12NC: 859991551320

GTIN (EAN) code: 8003437233708

Whirlpool

SENSING THE DIFFERENCE

## MAIN FEATURES

|   |                               |
|---|-------------------------------|
| Product group                           | Hood                          |
| Colour body                             | Inox                          |
| Material body                           | Stainless steel               |
| Colour chimney                          | N/A                           |
| Material chimney                        | N/A                           |
| Typology                                | Pull-out                      |
| Installation type                       | Built-in                      |
| Type of control                         | Electronic                    |
| Type of control settings                | -                             |
| Decor panel options                     | Possible and included         |
| Motor location                          | Integrated motor in hood body |
| Operating Mode                          | Convertible                   |
| Electrical connection rating (W)        | 265                           |
| Current (A)                             | 1,2                           |
| Voltage (V)                             | 220-240                       |
| Frequency (Hz)                          | 50                            |
| Length of Electrical Supply Cord (cm)   | 150                           |
| Plug type                               | Schuko                        |
| Chimney height (mm)                     | 300                           |
| Height of product, without chimney (mm) | 319                           |
| Height of the product                   | 301                           |
| Width of the product                    | 898                           |
| Depth of the product                    | 280                           |
| Minimum niche height                    | 0                             |
| Minimum niche width                     | 0                             |
| Niche depth                             | 0                             |
| Net weight (kg)                         | 12                            |

## TECHNICAL FEATURES

|   |                          |
|---|--------------------------|
| Type of manual control devices                          | Touch control            |
| Type of automatic control devices                       | -                        |
| Number of motors  | 1                        |
| Total power of the motors (W)                           | 260                      |
| Number of speed settings: boost option availability     | 3                        |
| Boost presence  | Yes                      |
| Maximum output air extraction (m <sup>3</sup> /h)       | 603                      |
| Boost position air extraction (m <sup>3</sup> /h)       | 735                      |
| Maximum output recirculating air (m <sup>3</sup> /h)    | 419                      |
| Boost position output recirculating (m <sup>3</sup> /h) | 0                        |
| Light Control Type                                      | On/Off                   |
| Number of lights  | 2                        |
| Type of lamps used                                      | LED                      |
| Total power of the lamps (W)                            | 5                        |
| Diameter of air outlet (mm)                             | 150                      |
| No-return airflow flap                                  | Yes                      |
| Grease filter material                                  | Washable stainless steel |
| Odour filter  | Yes                      |

## PERFORMANCES

|   |    |
|---|----|
| Sound power at min. speed (2010/30/EU)          | 50 |
| Sound power at max. speed (2010/30/EU)          | 66 |
| Noise level with boost position (dB(A) re 1 pW) | 72 |

