

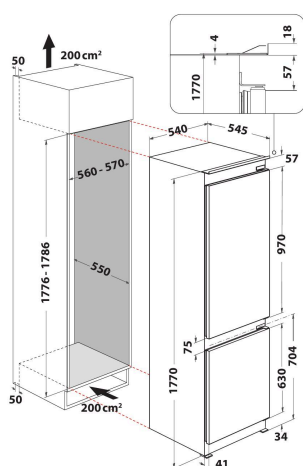
WHC18 T111

12NC: 859991639670

GTIN (EAN) code: 8003437050022

Whirlpool

SENSING THE DIFFERENCE



- Total net capacity: 250 l (183 l refrigerator + 67 l freezer)
- Product dimensions (HxWxD): 1770x540x545 mm
- Reversible door
- Noise level: 33 dB(A)
- Fast freezing
- Climatic class SN-T
- Freezing capacity: 7 Kg/24 h
- Fast Freeze Compartment
- Multiflow system
- Temperature alarm
- Temperature rise time 7 h
- Temperature adjustable
- LED lighting
- Freezing System for Freezer Compartment: NoFrost
- 3 adjustable balconies
- 3 freezer drawers
- Niche Dimensions: 1776x560x560 mm

Whirlpool built in fridge freezer - WHC18 T111

This Whirlpool built in Fridge Freezer features: white color. Glass shelves, providing both robustness and elegance. A fan that provides a smooth and even flow of air in your appliance's cavity, for enhanced ventilation. 6th SENSE sensors, that automatically lower the temperature inside your appliance when new food is stored, reducing energy consumption. Convenient bottle balcony to safely store your bottles.



6th sense

Up to 30% energy savings. 6TH SENSE technology monitors the temperature inside your freezer, and automatically boosts freezing only when required. Cost-effective and eco-friendly.



Temperature alarm

Designed for your peace of mind. The Temperature alarm feature warns you if there is an increase in temperature inside your fridge, helping you to avoid potential food spoilage.



Fresh Box+

Fruit & veggies stay fresh up to 15 days*. A drawer with a humidity control slider integrated allowing you to keep your fruit and vegetables fresh up to 15 days*. *Based on weight loss and visual quality, considering common fruits and vegetables. Internal test procedure.



Space Management

All the space you need. This Whirlpool Fridge Freezer's innovative design provides all the space and flexibility you need to comfortably and easily store your food and drink.



Ventilation

This Whirlpool Fridge Freezer features a fan that provides a smooth and even flow of air in your appliance's cavity, for enhanced ventilation.



Energy class F

Energy savings are ensured at energy class F.



Glass shelves

A passion for beauty in every detail. This Whirlpool Refrigerator includes glass shelves designed to combine beauty and functionality, and providing you the most fulfilling user experience imaginable.



Total NoFrost

Forget about defrosting. Save energy and forever forget about defrosting: smart sensors inside the cavity will track temperature within the fridge and activate the defrost mode only when needed.

WHC18 T111

12NC: 859991639670

GTIN (EAN) code: 8003437050022

Whirlpool

SENSING THE DIFFERENCE

MAIN FEATURES

| Product group | Fridge/freezer combination |
|---------------------------------------|----------------------------|
| Installation type | Built-in |
| Type of control | Electronic |
| Construction type | Built-in |
| Main colour of product | White |
| Electrical connection rating (W) | 180 |
| Current (A) | 16 |
| Voltage (V) | 220-240 |
| Frequency (Hz) | 50 |
| Number of compressors | 1 |
| Length of Electrical Supply Cord (cm) | 245 |
| Plug type | Schuko |
| Total unit net capacity (l) | 250 |
| Star Rating | 4 |
| Height of the product | 1770 |
| Width of the product | 540 |
| Depth of the product | 545 |
| Maximum adjustability feet | 0 |
| Net weight (kg) | 55 |

TECHNICAL FEATURES

| | |
|-----------------------------------------|-----------|
| Defrost process fridge section | Automatic |
| Defrost process freezer section | Automatic |
| Fast cooling possibility | No |
| Fast freezing function | Yes |
| Door opened indicator freezer | No |
| Temperature adjustable | Yes |
| Temperature adjustable freezer | No |
| Interior ventilator fridge section | Yes |
| Number of freezing drawers | 3 |
| Automatic motor-driven ice-maker | No |
| Number of shelves in fridge compartment | 5 |
| Material of the shelves | Glass |
| Thermometer fridge section | None |
| Thermometer freezer section | None |
| Number of temperature zones | 2 |

PERFORMANCES

| | |
|----------------------------------------------------------|--------------------|
| Energy efficiency class - NEW (2010/30/EU) | N/A |
| Energy consumption annual (kWh/annum) - NEW (2010/30/EU) | 293 |
| Refrigerator Net capacity (l) - NEW (2010/30/EU) | 183 |
| Freezer Net capacity (l) - NEW (2010/30/EU) | 67 |
| Freezing capacity (kg/24h) - NEW (2010/30/EU) | 7 |
| Climate class | SN-T |
| Noise level (dB(A) re 1 pW) | 33 |
| Frost free system | Fridge and freezer |

ENERG Y IJA
енергия · ενεργεια IE IA

WHIRLPOOL WHC18 T111

A+++
A++
A+
A
B
C
D

293 kWh/annum

ENERGIA · ΕΝΕΡΓΙΑ
ENERGIA · ENERGIJA
ENERGY · ENERGIE · ENERGI

1L **183** L

67 L

33 dB

2010/1060