

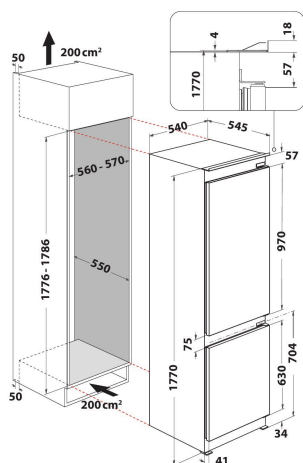
# WHC18 T111 UK

12NC: 859991639680

GTIN (EAN) code: 8003437050039

Whirlpool

SENSING THE DIFFERENCE



- Product dimensions (HxWxD): 1770x540x545 mm
- Reversible door
- Fast freezing
- Fast Freeze Compartment
- Multiflow system
- Temperature alarm
- Temperature adjustable
- LED lighting
- Freezing System for Freezer Compartment: NoFrost
- 3 adjustable balconies
- 3 freezer drawers
- Niche Dimensions: 1776x560x560 mm
- Rails on fridge drawer
- Maxi crisper in fridge compartment
- Split 70/30
- 1 shelf in freezer compartment
- Dairy Compartment

## Whirlpool built in fridge freezer - WHC18 T111 UK

This Whirlpool built in Fridge Freezer features: white Glass shelves, providing both robustness and elegance. A fan that provides a smooth and even flow of air in your appliance's cavity, for enhanced ventilation. 6th SENSE uses sensors within the cabinet monitor and adapt temperature according to the real need of the fridge freezer. By correcting these levels five times faster than in conventional units, you can enjoy long lasting freshness in all your ingredients and produce. Convenient bottle balcony to safely store your bottles.

### 6TH SENSE Technology

Up to 30% energy savings. 6TH SENSE technology monitors the temperature inside your freezer, and automatically boosts freezing only when required. Cost-effective and eco-friendly.

### Temperature alarm

Designed for your peace of mind. The Temperature alarm feature warns you if there is an increase in temperature inside your fridge, helping you to avoid potential food spoilage.

### Fresh Box+

Fruit & veggies stay fresh up to 15 days\*. A drawer with a humidity control slider integrated allowing you to keep your fruit and vegetables fresh up to 15 days\*. \*Based on weight loss and visual quality, considering common fruits and vegetables. Internal test procedure.

### Space Management

All the space you need. This Whirlpool Fridge Freezer's innovative design provides all the space and flexibility you need to comfortably and easily store your food and drink.

### Ventilation

This Whirlpool Fridge Freezer features a fan that provides a smooth and even flow of air in your appliance's cavity, for enhanced ventilation.

### Energy class F

Energy savings are ensured at energy class F.

### Glass shelves

A passion for beauty in every detail. This Whirlpool Refrigerator includes glass shelves designed to combine beauty and functionality, and providing you the most fulfilling user experience imaginable.

### Total NoFrost

Never defrost again. No ice drops in the fridge.

# WHC18 T111 UK

12NC: 859991639680

GTIN (EAN) code: 8003437050039

**Whirlpool**

SENSING THE DIFFERENCE

## MAIN FEATURES

Product group	Fridge/freezer combination
Installation type	Built-in
Type of control	Electronic
Construction type	Built-in
Main colour of product	White
Electrical connection rating (W)	180
Current (A)	16
Voltage (V)	220-240
Frequency (Hz)	50
Number of compressors	1
Length of Electrical Supply Cord (cm)	245
Plug type	UK
Total unit net capacity (l)	250
Star Rating	4
Height of the product	1770
Width of the product	540
Depth of the product	545
Maximum adjustability feet	0
Net weight (kg)	55

## TECHNICAL FEATURES

Defrost process fridge section	Automatic
Defrost process freezer section	Automatic
Fast cooling possibility	No
Fast freezing function	Yes
Door opened indicator freezer	No
Temperature adjustable	Yes
Temperature adjustable freezer	No
Interior ventilator fridge section	Yes
Number of freezing drawers	3
Automatic motor-driven ice-maker	No
Number of shelves in fridge compartment	5
Material of the shelves	Glass
Thermometer fridge section	None
Thermometer freezer section	None
Number of temperature zones	2

## PERFORMANCES

Energy efficiency class - NEW (2010/30/EU)	N/A
Energy consumption annual (kWh/annum) - NEW (2010/30/EU)	0
Refrigerator Net capacity (l) - NEW (2010/30/EU)	0
Freezer Net capacity (l) - NEW (2010/30/EU)	0
Freezing capacity (kg/24h) - NEW (2010/30/EU)	0
Climate class	N/A
Noise level (dB(A) re 1 pW)	N/A
Frost free system	Fridge and freezer

