

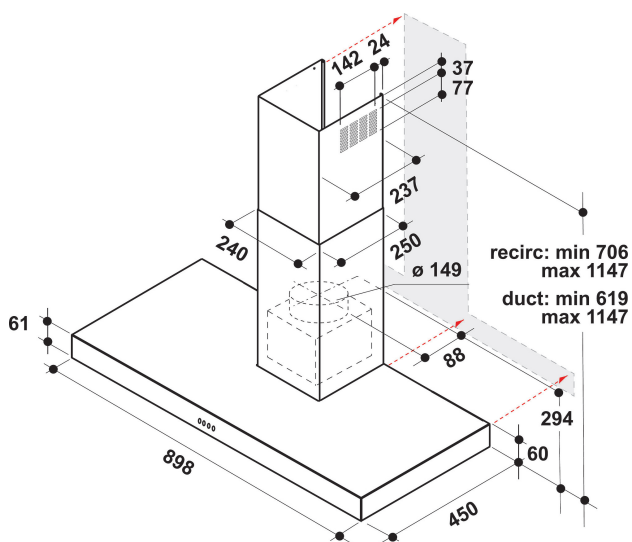
# WHBS 95 LM X

12NC: 859991569950

GTIN (EAN) code: 8003437237331

Whirlpool

SENSING THE DIFFERENCE



- Maximum noise level 65 dBA
- Noise Level (min. - max.): 57-65 dBA
- Air Flow (min. - max.): 302, 428 m<sup>3</sup>/h
- Maximum extraction rate: 428 (m<sup>3</sup>/h)
- Energy class D
- Extraction / Recirculation Rate  
%Z\_REQ\_MAX\_OUT\_EXTRACTION% / 155 m<sup>3</sup>/h
- 3 speed settings
- Odour Filter
- 2 LED, 6 W lamps
- 1 x 140 W motor
- Mechanical Buttons
- 3 Washable aluminium filters
- Grease Filtering Efficiency Class: C
- Lighting Efficiency Class: D
- Fluid Dynamic Efficiency Class: E
- Operating Mode: Air extraction, Recirculating air

## Whirlpool wall mounted cooker hood: 90cm - WHBS 95 LM X

This Whirlpool wall mounted Cooker Hood features: dishwasher-safe, washable aluminium grease filters. LED lights for ideal lighting. An outstanding cooker extractor fan, ensuring a fresh, grease-free cooking environment. Between 60cm and 90cm wide appliance. New design ensuring extra silent performance.



### LED lighting

Increased energy and cost efficiency. The LED lighting system lasts 10 times longer than traditional bulbs and uses 90% less energy.



### Flexible Installation

Flexible installation options. This Whirlpool Hood can be operated in either Ducted or Recirculated mode (filter needed), so you can enjoy complete freedom when designing your kitchen.



### Mechanical control

Effortless control. This Whirlpool Hood includes an analogue control interface designed for simplicity and ease-of-use.



### 3 Speeds

Versatile performance. This Whirlpool Hood offers 3 speed options, giving you complete control over the extraction rate.



### Wall-mounted installation

Wall-mounted installation. This wall-mounted Whirlpool Hood is a breeze to install.



### Total annual energy consumption

Ideal performance, outstanding savings. Whirlpool Hoods are designed to provide exceptional results, while reducing energy costs.



### TIMER

Perfect timing. This Whirlpool Hood includes an intuitive timer, for added convenience.



### 2 lights

Perfect lighting. This Whirlpool Hood features two integrated lights, providing ideal illumination, so you'll always be able to see what's cooking.



### Energy class D

This is an Energy Class D appliance.

# WHBS 95 LM X

12NC: 859991569950

GTIN (EAN) code: 8003437237331

Whirlpool

SENSING THE DIFFERENCE

## MAIN FEATURES

|   |                                  |
|---|----------------------------------|
| Product group                           | Hood                             |
| Colour body                             | Inox                             |
| Material body                           | Stainless steel                  |
| Colour chimney                          | Inox                             |
| Material chimney                        | Stainless steel                  |
| Typology                                | Wall-mounted                     |
| Installation type                       | Wall-mounted                     |
| Type of control                         | Mechanical                       |
| Type of control settings                | -                                |
| Decor panel options                     | N/A                              |
| Motor location                          | Integrated motor in hood chimney |
| Operating Mode                          | Convertible                      |
| Electrical connection rating (W)        | 146                              |
| Current (A)                             | 1,6                              |
| Voltage (V)                             | 220-240                          |
| Frequency (Hz)                          | 50/60                            |
| Length of Electrical Supply Cord (cm)   | 150                              |
| Plug type                               | No                               |
| Chimney height (mm)                     | -                                |
| Height of product, without chimney (mm) | 0                                |
| Height of the product                   | 1150                             |
| Width of the product                    | 900                              |
| Depth of the product                    | 450                              |
| Minimum niche height                    | 0                                |
| Minimum niche width                     | 0                                |
| Niche depth                             | 0                                |
| Net weight (kg)                         | 18.3                             |

## TECHNICAL FEATURES

|   |                    |
|---|--------------------|
| Type of manual control devices                          | Buttons            |
| Type of automatic control devices                       | -                  |
| Number of motors  | 1                  |
| Total power of the motors (W)                           | 140                |
| Number of speed settings: boost option availability     | 3                  |
| Boost presence  | No                 |
| Maximum output air extraction (m <sup>3</sup> /h)       | 428                |
| Boost position air extraction (m <sup>3</sup> /h)       | 0                  |
| Maximum output recirculating air (m <sup>3</sup> /h)    | 155                |
| Boost position output recirculating (m <sup>3</sup> /h) | 0                  |
| Light Control Type                                      | On/Off             |
| Number of lights  | 2                  |
| Type of lamps used                                      | LED                |
| Total power of the lamps (W)                            | 6                  |
| Diameter of air outlet (mm)                             | 150                |
| No-return airflow flap                                  | No                 |
| Grease filter material                                  | Washable aluminium |
| Odour filter  | No                 |

## PERFORMANCES

|   |    |
|---|----|
| Sound power at min. speed (2010/30/EU)          | 57 |
| Sound power at max. speed (2010/30/EU)          | 65 |
| Noise level with boost position (dB(A) re 1 pW) | 0  |

