

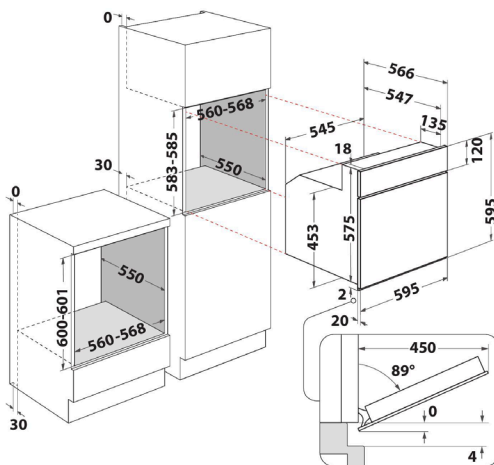
# AKP 604 IX

12NC: 857773801500

GTIN (EAN) code: 8003437937712

Whirlpool

SENSING THE DIFFERENCE



- SmartClean
- Energy class A
- Cavity 65 L
- Defrost function
- Grill
- Easy Clean Enamel Interior
- Turbo grill function
- Pastry function
- Conventional Cooking
- Metal handle
- Door Glasses Number: 2
- Protuding handle
- Switch-off timer
- Grill 1400 W
- 1 Grid
- 2 Trays
- Mechanic programmer

## Whirlpool built in electric oven: inox color, self cleaning - AKP 604 IX

This Whirlpool built in Oven features: smart Clean technology, that provides a self cleaning cycle that ensures ideal cleaning results, at the touch of a button. Advanced electric technology allowing you to cook dishes saving energy. Halogen lamp allowing a more energy-efficient performance.



### Multifunction 5

Multiple cooking methods. The Multifunction 5 feature offers flexible cooking options, to ensure perfect results, whatever the recipe.



### Smart clean

Effortless, eco-friendly cleaning. The innovative SmartClean technology cleans your oven thoroughly and efficiently in just 30 minutes, without the use of detergents. Simply add 200cc of water to the oven cavity, run the SmartClean cycle, then wipe with a dry cloth.



### Absolute aesthetic

The Absolute collection. Admire the beauty of performance. With a futuristic design and unparalleled performance, the Absolute collection is designed for modern, high-tech kitchens. Equipped with innovative 6TH SENSE technology, Absolute ovens can be set in three simple steps for perfect results. Maximum flexibility and ease of use with a distinctive look and original finishes.



### Standard cavity

This Whirlpool Oven features a standard-size cavity.



### Energy class

Outstanding energy savings. Ovens with an A/ A+ energy rating offer an excellent level of energy efficiency, ensuring lower consumption and saving you money on your energy bills.



### Energy class A

Energy efficient. With its A energy rating, this Whirlpool appliance will allow you to enjoy both ideal performance and excellent energy consumption.

# AKP 604 IX

12NC: 857773801500

GTIN (EAN) code: 8003437937712

# Whirlpool

SENSING THE DIFFERENCE

## MAIN FEATURES


|                                       |            |
|---------------------------------------|------------|
| Product group                         | Oven       |
| Commercial code                       | AKP 604 IX |
| Main colour of product                | Inox       |
| Construction type                     | Built-in   |
| Type of control                       | Mechanical |
| Type of control settings              | -          |
| Are any hobs controls integrated?     | No         |
| Which kind of hobs can be controlled? | -          |
| Automatic programmes                  | No         |
| Current (A)                           | 13         |
| Voltage (V)                           | 220-240    |
| Frequency (Hz)                        | 50/60      |
| Length of Electrical Supply Cord (cm) | 90         |
| Plug type                             | No         |
| Depth with open door 90 degree (mm)   | -          |
| Height of the product                 | 595        |
| Width of the product                  | 595        |
| Depth of the product                  | 564        |
| Minimum niche height                  | 0          |
| Minimum niche width                   | 0          |
| Niche depth                           | 0          |
| Net weight (kg)                       | 29.95      |
| Usable volume (of cavity)             | 65         |
| Integrated Cleaning system            | Hydrolytic |
| Grids of the cavity                   | 1          |
| Trays                                 | 2          |

## TECHNICAL FEATURES

|   |            |
|---|------------|
| Timer                                     | -          |
| Time control                              | Mechanical |
| Time-setting options                      | Stop       |
| Safety device                             | -          |
| Interior light                            | Yes        |
| Number of interior lights of the cavity   | 1          |
| Position of interior lights of the cavity | Rear       |
| Oven guides of the cavity                 | Grids      |
| Probe of the cavity                       | No         |


## PERFORMANCES

|   |             |
|---|-------------|
| Energy input  | Electric    |
| Type of energy of the cavity  | Electricity |
| Energy efficiency class - NEW (2010/30/EU)                            | A           |
| Energy consumption per cycle conventional - NEW (2010/30/EU)          | 0.78        |
| Energy consumption per cycle forced air convection - NEW (2010/30/EU) | 0.87        |




**ENERG** Y UA  
енергия · ενεργεια IE 1A


**WHIRLPOOL** AKP 738 IX




A



**65 L**



**0.78 kWh/cycle\***



**0.87 kWh/cycle\***

\* цистерна · cylinder · portion · zylinder · nádvarrány · cido · tsükkel · ohjelma · ciklus · cikls · ciklu · cycles · cykl · ciclu · program · cycle

65/2014