

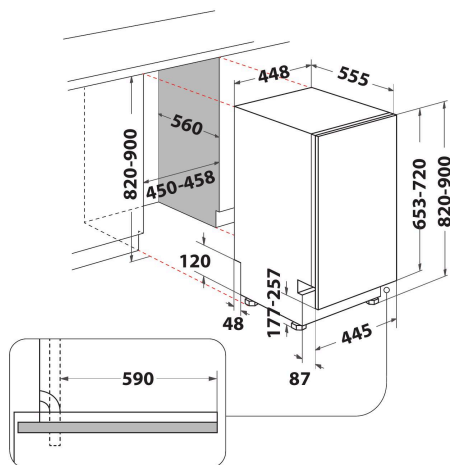
WSIC 3M27 C UK N

12NC: 859991616050

GTIN (EAN) code: 8003437226267

Whirlpool

SENSING THE DIFFERENCE



- Installation Type: Built-in
- Energy class A++
- 10 place settings
- Model only 45 cm wide
- 6TH Sense Technology
- Noise level: 47 dB(A)
- 9 L per cycle (2520 L per year)
- Third rack: Tray
- Autoclean filter
- Start delay 1-12 h
- Adjustable upper rack
- Multizone
- Cutlery basket
- Tablet
- Prewash
- Express
- Hot water connection

Whirlpool integrated dishwasher: silver color, slimline - WSIC 3M27 C UK N

This Whirlpool integrated Dishwasher features: silver color. Outstanding A++ energy rating, for reduced energy consumption. Adjustable feet, for perfect stability on uneven floors and surfaces. Superb cleaning performance, for ideal washing results. Outstanding drying performance, providing excellent results.

Single rack washing option

Outstanding water efficiency. The single rack option allows you to wash a small number of dishes without having to wait to fill your Dishwasher. Enjoy perfect results and low water consumption.

Start Delay

Tailored for you. The Start Delay option allows you to set the Dishwasher to begin its cycle whenever most convenient for you, saving you both time and energy.

EcoFriendly

Extraordinary savings. 6th SENSE EcoFriendly technology features intelligent sensors to continuously monitor the wash cycle and detect the level of soiling, adjusting resources accordingly. Enjoy ideal cleaning results and save up to 50% energy, water and time.* (*Comparison between minimum and maximum consumption on the 6th SENSE programs.)

10 Place Settings

All the space you need. This Whirlpool Dishwasher provides 10 versatile place settings, so you can enjoy all the space you need, always.

Silent

Silent performance. Your Whirlpool Dishwasher is designed to provide ideal washing results, while ensuring the lowest possible noise output.

6th Sense

No prewash required. technology provides perfect washing results with no pre-washing, soaking or scrubbing by hand, while effectively reducing water consumption and costs.

A++ energy efficiency

High energy efficiency. With its A++ Energy Rating, this Whirlpool Dishwasher provides ideal results, while saving energy and resources.

Flexible washing options

Ideal space management. Add, remove or adapt the space inside your Dishwasher as you like, thanks to the modular racks and foldable tines.

WSIC 3M27 C UK N

12NC: 859991616050

GTIN (EAN) code: 8003437226267

Whirlpool

SENSING THE DIFFERENCE

MAIN FEATURES

| | |
|---------------------------------------|----------------------|
| Construction type | Built-in |
| Installation type | Full-integrated |
| Type of control | Electronic |
| Type of control settings | - |
| Removable work top | No |
| Door decor panel | N/A |
| Main colour of product | Silver |
| Electrical connection rating (W) | 1900 |
| Current (A) | 13 |
| Voltage (V) | 220-240 |
| Frequency (Hz) | 50 |
| Length of Electrical Supply Cord (cm) | 130 |
| Plug type | UK |
| Length inlet hose (cm) | 155 |
| Length outlet hose (cm) | 150 |
| Adjustable plinth | No |
| Height of removable worktop (mm) | 0 |
| Adjustable feet | Yes - all from front |
| Height of the product | 820 |
| Width of the product | 448 |
| Depth of the product | 555 |
| Depth with open door 90 degree (mm) | - |
| Minimum niche height | 820 |
| Maximum niche height | 900 |
| Minimum niche width | 450 |
| Maximum niche width | 600 |
| Niche depth | 560 |
| Net weight (kg) | 29.6 |
| Gross weight (kg) | 31.6 |

TECHNICAL FEATURES

| | |
|---|------------|
| Automatic programmes | Yes |
| Maximum temperature for water intake (°C) | 60 |
| Start delay options | Continuous |
| Start delay time max. (h) | 12 |
| Progress indicator | - |
| Digital countdown indicator | Yes |
| Salt light indicator | Yes |
| Rinse aid light indicator | Yes |
| Safety device | Yes |
| Adjustable upper basket | Yes |
| Largest loadable dish upper basket (cm) | 0 |
| Largest loadable dish lower basket (cm) | 0 |
| Number of place settings | 10 |

PERFORMANCES

| | |
|--|------|
| Energy efficiency class - NEW (2010/30/EU) | A++ |
| Energy consumption annual (kWh/annum) - NEW (2010/30/EU) | 212 |
| Duration of the left-on mode - NEW (2010/30/EU) | 12 |
| Power consumption in left-on mode - NEW (2010/30/EU) | 5 |
| Power consumption in off-mode - NEW (2010/30/EU) | 0.5 |
| Water consumption annual (l/annum) - NEW (2010/30/EU) | 2520 |
| Noise level (dB(A) re 1 pW) | 47 |

ENERGIA - ЕНЕРГИЈА - ΕΝΕΡΓΕΙΑ
ENERGIJA - ENERGIY - ENERGIJE
ENERGI

WHIRLPOOL
WSIC 3M27 C UK N

A+++
A++
A+
A
B
C
D

A++

212
kWh/annum

2520
L/annum

ABCDEF G

X 10

47
dB

2010/1059