



TUV T5

TUV 64T5 HE SP UNP/32

TUV T5 lamps are single- or double-ended UVC (germicidal) lamps used in professional water and air disinfection units. The small 16 mm diameter of the lamp allows for a small system design and design flexibility. TUV T5 lamps offer constant UV output over their complete lifetime, for maximum security of disinfection and high system efficacy.

Warnings and Safety

- A lamp breaking is extremely unlikely to have any impact on your health. If a lamp breaks, ventilate the room for 30 minutes and remove the parts, preferably with gloves. Put them in a sealed plastic bag and take it to your local waste facilities for recycling. Do not use a vacuum cleaner.
- DANGER: Risk Group 3 Ultra Violet product. These lamps emit high-power UV radiation that can cause severe injury to skin and eyes. Avoid eye and skin exposure to unshielded product. Use only in an enclosed environment which shields users from the radiation.
- Plants and/or materials that are exposed to UV-C and/or ozone for a long time may become damaged and/or discolored.

Product data

General Information		Lamp Current (Nom)		0.425 A
Cap-Base	SINGLEPIN [Single Pin]	Voltage (Nom)	176 V	
Main Application	Disinfection	Mechanical and Housing		
Useful Life (Nom)	9000 h	Cap-Base Information	Single Pin	
System Description	High Efficiency	Approval and Application		
Light Technical		Mercury (Hg) Content (Nom)	3.0 mg	
Color Code	TUV	UV		
Color Designation	- [Not Specified]	UV-C Radiation at 100 hr	31 W	
Depreciation at Useful Lifetime	15 %			
Operating and Electrical				
Power (Nom)	75 W			

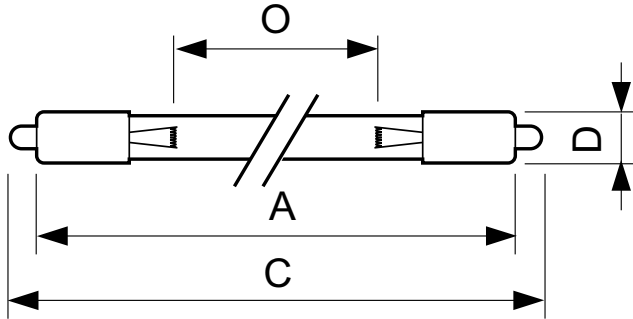
TUV T5

Product Data

Full product code	871150064079699
Order product name	TUV 64T5 HE SP UNP/32
EAN/UPC - Product	8711500640796
Order code	927970504099
Numerator - Quantity Per Pack	1

Numerator - Packs per outer box	32
Material Nr. (12NC)	927970504099
Net Weight (Piece)	156.000 g

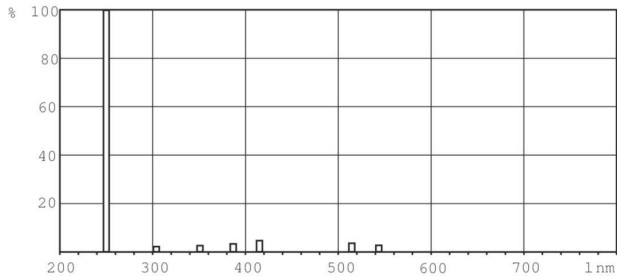
Dimensional drawing



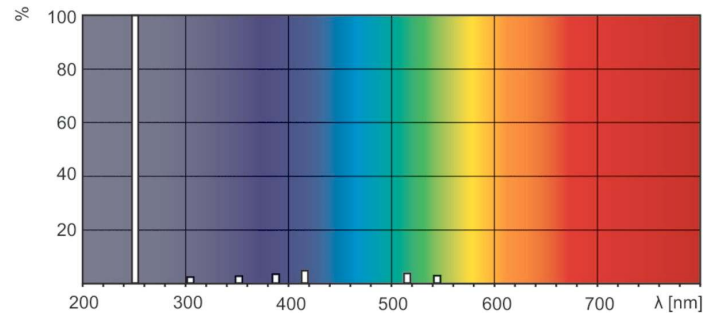
TUV 64T5/SP HE

Product	D (max)	O	C (max)	A (max)
TUV 64T5 HE SP UNP/32	18.6 mm	1473 mm	1575.1 mm	1556.6 mm

Photometric data



XDPB_XUTUV-Spectral power distribution B/W



XDPO_XUTUV-Spectral power distribution Colour

