

# MSA I 5G3F IX

12NC: 859991587540

GTIN (EAN) code: 8003437604256

Whirlpool

SENSING THE DIFFERENCE



## Whirlpool built in gas oven: inox color - MSA I 5G3F IX

This Whirlpool built in Oven features: gas power supply.



### Absolute aesthetic

The Absolute collection. Admire the beauty of performance. With a futuristic design and unparalleled performance, the Absolute collection is designed for modern, high-tech kitchens. Equipped with innovative 6TH SENSE technology, Absolute ovens can be set in three simple steps for perfect results. Maximum flexibility and ease of use with a distinctive look and original finishes.



### Electronic control

Electronic temperature control.



### XXL cavity

All the space you need. The XXL cavity in your oven has a capacity of 75 litres with 5 different shelf positions available.



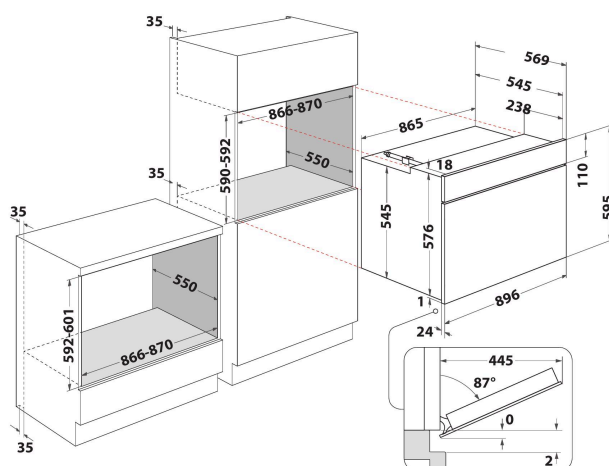
### Energy class

Outstanding energy savings. Ovens with an A/ A+ energy rating offer an excellent level of energy efficiency, ensuring lower consumption and saving you money on your energy bills.



### Energy class A

Energy efficient. With its A energy rating, this Whirlpool appliance will allow you to enjoy both ideal performance and excellent energy consumption.



- Energy class A
- Cavity 97 L
- Turbo Fan
- Grill
- Easy Clean Enamel Interior
- Fast Pre-Heating
- Metal handle
- Door Glasses Number: 2
- Protuding handle
- Grill 2700 W
- 2 Grids
- 1 Tray
- Motorized Turn Spit
- Mechanic programmer
- Europe Grey Glass and Inox Bottom Front Trim
- Dimensions HxWxD: 576x865x565 mm
- Product Segment: Absolute Inox

# MSA I 5G3F IX

12NC: 859991587540

GTIN (EAN) code: 8003437604256

**Whirlpool**

SENSING THE DIFFERENCE

## MAIN FEATURES


Product group	Oven
Commercial code	MSA I 5G3F IX
Main colour of product	Inox
Construction type	Built-in
Type of control	Electronic
Type of control settings	-
Are any hobs controls integrated?	No
Which kind of hobs can be controlled?	-
Automatic programmes	No
Current (A)	0
Voltage (V)	220-240
Frequency (Hz)	50/60
Length of Electrical Supply Cord (cm)	125
Plug type	No
Depth with open door 90 degree (mm)	-
Height of the product	576
Width of the product	865
Depth of the product	565
Minimum niche height	0
Minimum niche width	0
Niche depth	0
Net weight (kg)	54
Usable volume (of cavity)	97
Integrated Cleaning system	No
Grids of the cavity	2
Trays	1

## TECHNICAL FEATURES

Timer	Yes
Time control	Mechanical
Time-setting options	Start and Stop
Safety device	-
Interior light	Yes
Number of interior lights of the cavity	2
Position of interior lights of the cavity	Rear
Oven guides of the cavity	Grids
Probe of the cavity	No

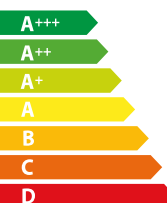
## PERFORMANCES

Energy input	Gas
Type of energy of the cavity	Gas
Energy efficiency class - NEW (2010/30/EU)	A
Energy consumption per cycle conventional - NEW (2010/30/EU)	260
Energy consumption per cycle forced air convection - NEW (2010/30/EU)	2.59




**ENERG** Y IJA  
енергия · ενεργεια IE IA


**WHIRLPOOL** MSA I 5G3F IX




A



**97** L



**9.36** MJ/cycle\*  
**260** kWh/cycle\*



**9.34** MJ/cycle\*  
**2.59** kWh/cycle\*

\* цешья · siklus · portion · siklus · πρόγραμμα · ciclo · tsükkel · ohjelma · ciklus · ciklus · ciklu · ciklus · cykl · ciclo · program · cycle

65/2014