



Essential LED bulbs

ESS LEDBulb 9W E27 3000K HV 1PF/20 AR

Essential LEDbulbs are compatible with existing fixtures with a E27 holder and are designed for retrofit replacement of incandescent, halogen and energy saving bulbs. They deliver huge energy savings and minimize initial investment

Product data

General Information	
Cap-Base	E27 [E27]
EU RoHS compliant	Yes
Nominal Lifetime (Nom)	10000 h
Switching Cycle	50000X
Technical Type	9-80W

Light Technical	
Color Code	730 [CCT of 3000K]
Beam Angle (Nom)	130 °
Luminous Flux (Nom)	900 lm
Color Designation	White (WH)
Correlated Color Temperature (Nom)	3000 K
Luminous Efficacy (rated) (Nom)	100.00 lm/W
Color Consistency	<7
Color Rendering Index (Nom)	70
LLMF At End Of Nominal Lifetime (Nom)	70 %

Operating and Electrical	
Input Frequency	50 to 60 Hz
Power (Nom)	9 W
Lamp Current (Nom)	81 mA
Wattage Equivalent	80 W
Starting Time (Nom)	0.5 s

Warm Up Time to 60% Light (Nom)	0.5 s
Power Factor (Nom)	0.5
Voltage (Nom)	220-240 V

Temperature	
T-Case Maximum (Nom)	75 °C

Controls and Dimming	
Dimmable	No

Mechanical and Housing	
Bulb Finish	Frosted

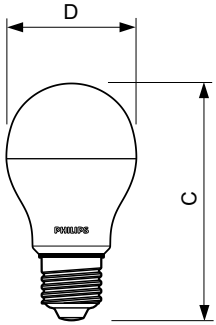
Approval and Application	
Energy Efficiency Label (EEL)	A+

Product Data	
Full product code	871869676035201
Order product name	ESS LEDBulb 9W E27 3000K HV 1PF/20 AR
EAN/UPC - Product	8718696760352
Order code	929001899871
Numerator - Quantity Per Pack	1
Numerator - Packs per outer box	20
Material Nr. (12NC)	929001899871

Essential LED bulbs

Net Weight (Piece) 0.056 kg

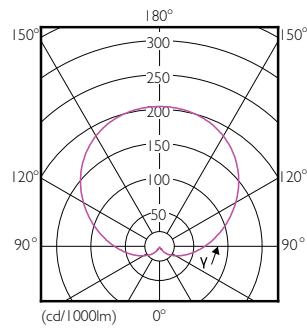
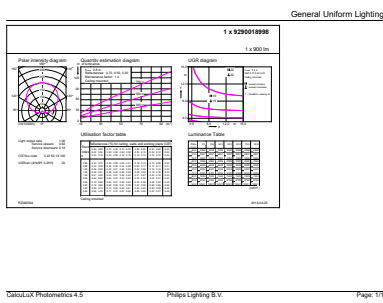
Dimensional drawing



Bulb A55 220-248V 9-80W 900lm 3000K E27

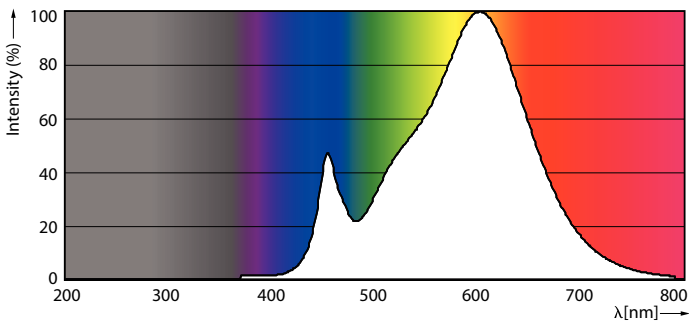
Product	D	C
ESS LEDBulb 9W E27 3000K HV 1PF/20 AR	58 mm	104 mm

Photometric data



LEDbulb 9W A60 E27 730 FR

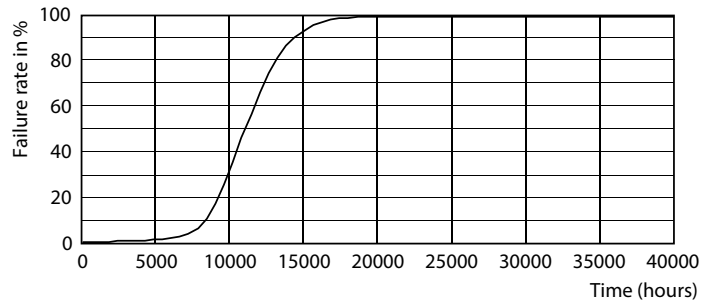
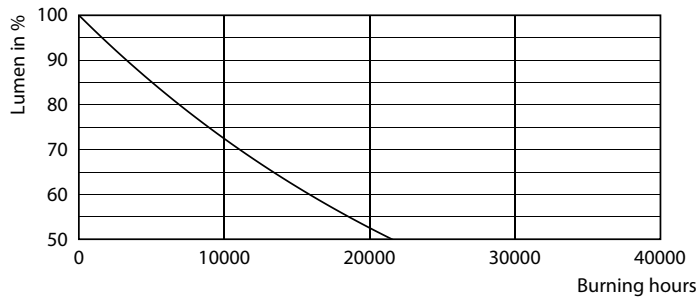
LEDbulb A60 E27 FR ESS



LEDbulb E27 A60 730 FR ESS

Essential LED bulbs

Lifetime



10K

10K

