

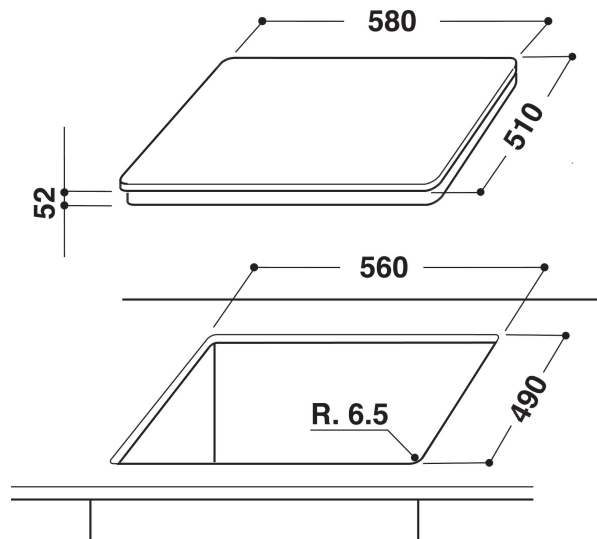
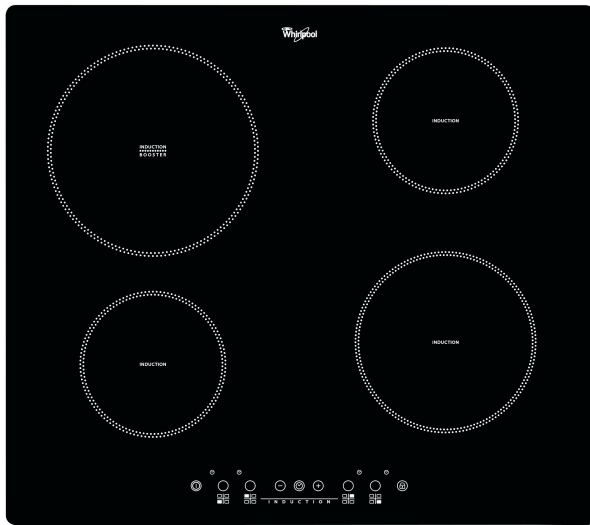
# ACM 802/NE

12NC: 855780201000

GTIN (EAN) code: 8003437825477

Whirlpool

SENSING THE DIFFERENCE



- 4 induction cooking zones
- Residual heat indicator
- Child lock
- On/Off Switch
- 60 cm hob
- Timer
- Touch control (AKO, Artemis 2)
- Black Glass Hob
- 1 Booster
- 4 Plate on Indicator
- Total power declared: 7 kW
- Power on indicator
- Supply cord included
- Power manager: maximum power setting 2,5 kW/4 kW/6 kW/7,4 kW
- Frameless
- Dimensions HxWxD: 56x580x510 mm

## Whirlpool induction glass-ceramic hob - ACM 802/NE

4 induction rings. electric power supply. An elegant technology, that heats the pan, not the hob, reducing energy dispersion and providing perfect cooking results. This Whirlpool induction glass-ceramic Hob features:



### Induction technology

Faster, energy-efficient cooking. Induction technology heats the pan, not the hob, reducing energy dispersion by 10%, and providing perfect cooking results.



### MySmartDisplay

By simply selecting one of the many Cooking Combinations, MySmartDisplay provides step-by-step assistance in real time. With a choice of food categories and cooking methods on its intuitive, uncluttered interface, MySmartDisplay offers a smart way to achieve the best outcome everytime.



### FlexiCook

Flexibility and performance. FlexiCook provides flexible cooking space for pots and pans of any size.



### Front Controls

Complete control over your cooking. Easily accessible and genuinely intuitive, the controls are conveniently positioned on the front panel of your hob, providing a frictionless cooking experience.



### Power management

Outstanding energy efficiency. With the Power Management function, you set the hob's power level, to avoid the risk of overloading the power supply in your home.



### Booster

Enjoy super fast boiling times with the Booster cooking zone.

# ACM 802/NE

12NC: 855780201000

GTIN (EAN) code: 8003437825477

**Whirlpool**

SENSING THE DIFFERENCE

## MAIN FEATURES

Product group	Hob
Construction type	Built-in
Type of control	Electronic
Type of control settings	-
Number of gas burners	0
Number of electric cooking zones	4
Number of electric plates	0
Number of radiant plates	0
Number of halogen plates	0
Number of induction plates	4
Number of electric warming zones	0
Location of control panel	Front
Basic surface material	Glass
Main colour of product	Black
Electrical connection rating (W)	6500
Gas connection rating (W)	0
Current (A)	28,1
Voltage (V)	230
Frequency (Hz)	50/60
Length of Electrical Supply Cord (cm)	150
Plug type	No
Gas connection	N/A
Width of the product	580
Height of the product	56
Depth of the product	510
Minimum niche height	30
Minimum niche width	560
Niche depth	490
Net weight (kg)	12.5
Automatic programmes	No

## TECHNICAL FEATURES

Power on indicator	Yes
Number of indicators	4
Type of regulation	Stepless energy regulated
Type of lid	Without
Residual heat indicator	Separate
Main on/off switch	Yes
Safety device	-
Timer	Yes

## PERFORMANCES

Energy input	Electric
--------------	----------