

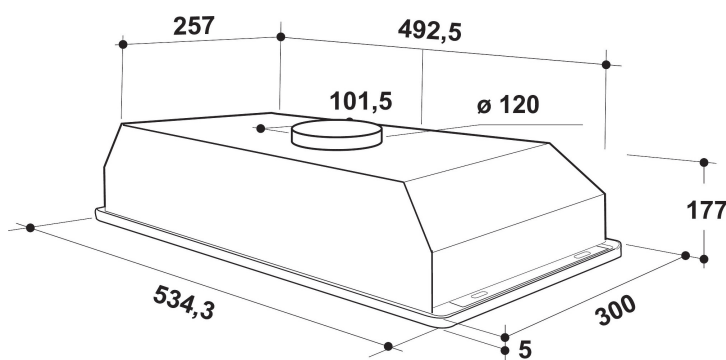
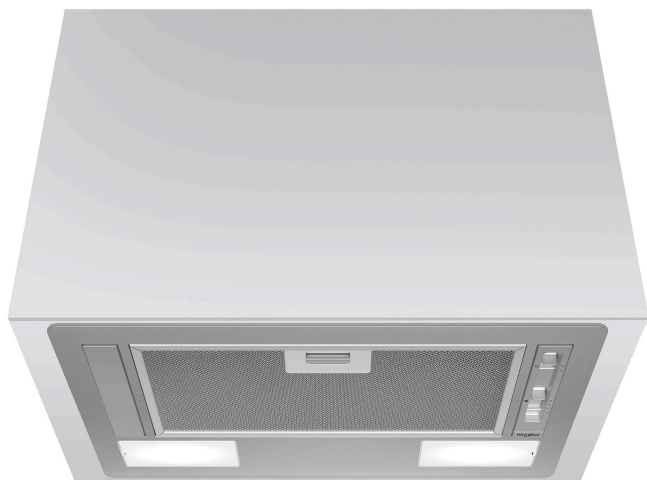
# WCT 64 FLS X

12NC: 859991552930

GTIN (EAN) code: 8003437233357

Whirlpool

SENSING THE DIFFERENCE



- Maximum noise level 64 dBA
- Noise Level (min. - max.): 55-64 dBA
- Air Flow (min. - max.): 218, 332 m<sup>3</sup>/h
- Maximum extraction rate: 332 (m<sup>3</sup>/h)
- Energy class C
- 3 speed settings
- Odour Filter
- 1 LED, 6 W lamp
- 1 x 120 W motor
- Mechanical Slider
- 1 Washable aluminium filter
- Grease Filtering Efficiency Class: D
- Lighting Efficiency Class: D
- Fluid Dynamic Efficiency Class: E
- Operating Mode: Air extraction, Recirculating air
- Inox Finishing
- 1 Motor

## Whirlpool integrated cooker hood - WCT 64 FLS X

This Whirlpool integrated Cooker Hood features: dishwasher-safe, washable aluminium grease filters. LED lights for ideal lighting. An outstanding cooker extractor fan, ensuring a fresh, grease-free cooking environment. Less than 60cm wide appliance. New design ensuring extra silent performance.



### LED lighting

Increased energy and cost efficiency. The LED lighting system lasts 10 times longer than traditional bulbs and uses 90% less energy.



### Carbon Filter Included

Enjoy fresh air in your kitchen, always. This Whirlpool Hood includes a carbon purifying air filter, that effectively protects your kitchen from odours and grease.



### Flexible Installation

Flexible installation options. This Whirlpool Hood can be operated in either Ducted or Recirculated mode (filter needed), so you can enjoy complete freedom when designing your kitchen.



### 3 Speeds

Versatile performance. This Whirlpool Hood offers 3 speed options, giving you complete control over the extraction rate.



### Built-in installation

The perfect fit. This built-in Whirlpool Hood is easy to install, and designed to fit in perfectly with your kitchen layout.



### Total annual energy consumption

Ideal performance, outstanding savings. Whirlpool Hoods are designed to provide exceptional results, while reducing energy costs.



### Mechanical control

Effortless control. This Whirlpool Hood includes an analogue control interface designed for simplicity and ease-of-use.



### TIMER

Perfect timing. This Whirlpool Hood includes an intuitive timer, for added convenience.



### Fully integrated

An integrated hood - perfect for kitchens where the hood is not directly on show.



### Energy class C

This is an Energy Class C appliance.

# WCT 64 FLS X

12NC: 859991552930

GTIN (EAN) code: 8003437233357

**Whirlpool**

SENSING THE DIFFERENCE

## MAIN FEATURES

Product group	Hood
Colour body	Inox
Material body	Metal
Colour chimney	N/A
Material chimney	N/A
Typology	Built-in/Built-under
Installation type	Built-in
Type of control	Mechanical
Type of control settings	-
Decor panel options	N/A
Motor location	Integrated motor in hood body
Operating Mode	Convertible
Electrical connection rating (W)	126
Current (A)	0
Voltage (V)	220-240
Frequency (Hz)	50/60
Length of Electrical Supply Cord (cm)	150
Plug type	Schuko
Chimney height (mm)	-
Height of product, without chimney (mm)	0
Height of the product	177
Width of the product	534
Depth of the product	300
Minimum niche height	0
Minimum niche width	0
Niche depth	0
Net weight (kg)	4.8

## TECHNICAL FEATURES

Type of manual control devices	Slider
Type of automatic control devices	-
Number of motors	1
Total power of the motors (W)	120
Number of speed settings: boost option availability	3
Boost presence	No
Maximum output air extraction (m <sup>3</sup> /h)	332
Boost position air extraction (m <sup>3</sup> /h)	0
Maximum output recirculating air (m <sup>3</sup> /h)	170
Boost position output recirculating (m <sup>3</sup> /h)	0
Light Control Type	On/Off
Number of lights	1
Type of lamps used	LED
Total power of the lamps (W)	6
Diameter of air outlet (mm)	120
No-return airflow flap	No
Grease filter material	Washable aluminium
Odour filter	Yes

## PERFORMANCES

Sound power at min. speed (2010/30/EU)	55
Sound power at max. speed (2010/30/EU)	64
Noise level with boost position (dB(A) re 1 pW)	0

