

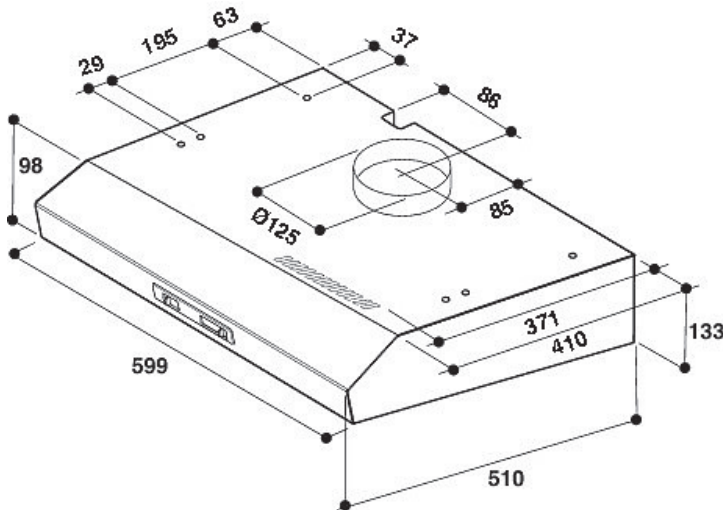
# WSLK 65 AS X

12NC: 857847796000

GTIN (EAN) code: 8003437206900

Whirlpool

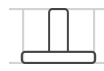
SENSING THE DIFFERENCE



- Maximum noise level 67 dBA
- Noise Level (min. - max.): 48-67 dBA
- Air Flow (min. - max.): 95, 208 m<sup>3</sup>/h
- Maximum extraction rate: 208 (m<sup>3</sup>/h)
- Energy class D
- Extraction / Recirculation Rate 240 / 65 m<sup>3</sup>/h
- 3 speed settings
- 1 Halogen, 28 W lamp
- 1 x 115 W motor
- Mechanical Slider
- 1 Not washable synthetic filter
- Grease Filtering Efficiency Class: B
- Lighting Efficiency Class: G
- Fluid Dynamic Efficiency Class: F
- Operating Mode: Air extraction, Recirculating air
- Inox Finishing
- 1 Motor

## Whirlpool wall mounted cooker hood - WSLK 65 AS X

This Whirlpool wall mounted Cooker Hood features: an outstanding cooker extractor fan, ensuring a fresh, grease-free cooking environment. Less than 60cm wide appliance. New design ensuring extra silent performance.



### Flexible Installation

Flexible installation options. This Whirlpool Hood can be operated in either Ducted or Recirculated mode (filter needed), so you can enjoy complete freedom when designing your kitchen.



### Mechanical control

Effortless control. This Whirlpool Hood includes an analogue control interface designed for simplicity and ease-of-use.



### Mechanical Slider

Effortless control. This Whirlpool Hood features a slider controller, providing effortless control of your appliance.



### 3 Speeds

Versatile performance. This Whirlpool Hood offers 3 speed options, giving you complete control over the extraction rate.



### Wall-mounted installation

Wall-mounted installation. This wall-mounted Whirlpool Hood is a breeze to install.



### Total annual energy consumption

Ideal performance, outstanding savings. Whirlpool Hoods are designed to provide exceptional results, while reducing energy costs.



### Halogen Lamps

Halogen lamps generate 3 times more light than normal lamps, so you can always see what's cooking.



### Energy class D

This is an Energy Class D appliance.

# WSLK 65 AS X

12NC: 857847796000

GTIN (EAN) code: 8003437206900

Whirlpool

SENSING THE DIFFERENCE

## MAIN FEATURES

Product group	Hood
Colour body	Inox
Material body	Stainless steel
Colour chimney	N/A
Material chimney	N/A
Typology	Wall-mounted
Installation type	Wall-mounted
Type of control	Mechanical
Type of control settings	-
Decor panel options	N/A
Motor location	Integrated motor in hood body
Operating Mode	Convertible
Electrical connection rating (W)	143
Current (A)	0,6
Voltage (V)	220-240
Frequency (Hz)	50/60
Length of Electrical Supply Cord (cm)	150
Plug type	No
Chimney height (mm)	0-0
Height of product, without chimney (mm)	133
Height of the product	133
Width of the product	598
Depth of the product	510
Minimum niche height	0
Minimum niche width	0
Niche depth	0
Net weight (kg)	5.6

## TECHNICAL FEATURES

Type of manual control devices	Slider
Type of automatic control devices	-
Number of motors	1
Total power of the motors (W)	115
Number of speed settings: boost option availability	3
Boost presence	No
Maximum output air extraction (m <sup>3</sup> /h)	208
Boost position air extraction (m <sup>3</sup> /h)	0
Maximum output recirculating air (m <sup>3</sup> /h)	65
Boost position output recirculating (m <sup>3</sup> /h)	0
Light Control Type	Steps
Number of lights	1
Type of lamps used	Halogen
Total power of the lamps (W)	28
Diameter of air outlet (mm)	125
No-return airflow flap	No
Grease filter material	Not washable synthetic
Odour filter	No

## PERFORMANCES

Sound power at min. speed (2010/30/EU)	48
Sound power at max. speed (2010/30/EU)	67
Noise level with boost position (dB(A) re 1 pW)	0

