

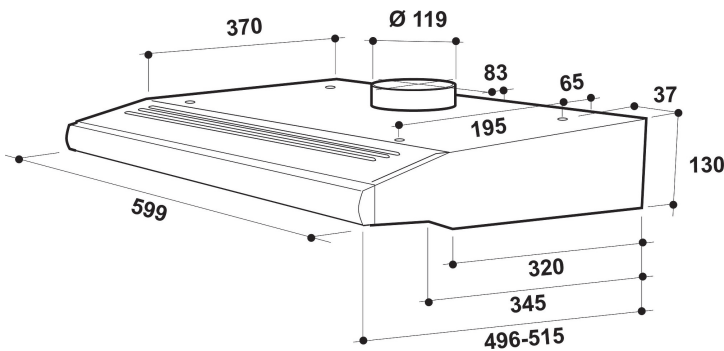
WSLCSE 65 AS GR/1

12NC: 857842015090

GTIN (EAN) code: 8003437206672

Whirlpool

SENSING THE DIFFERENCE



- Maximum noise level 69 dBA
- Noise Level (min. - max.): 62-69 dBA
- Air Flow (min. - max.): 135, 175 m³/h
- Maximum extraction rate: 175 (m³/h)
- Energy class D
- 3 speed settings
- Odour Filter
- 1 Halogen, 28 W lamp
- 1 x 105 W motor
- Mechanical Slider
- 1 Not washable synthetic filter
- Grease Filtering Efficiency Class: C
- Lighting Efficiency Class: G
- Fluid Dynamic Efficiency Class: F
- Operating Mode: Air extraction, Recirculating air
- Grey Finishing
- 1 Motor

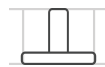
Whirlpool wall mounted cooker hood - WSLCSE 65 AS GR/1

This Whirlpool wall mounted Cooker Hood features: an outstanding cooker extractor fan, ensuring a fresh, grease-free cooking environment. Less than 60cm wide appliance. New design ensuring extra silent performance. Glass visor.



Carbon Filter Included

Enjoy fresh air in your kitchen, always. This Whirlpool Hood includes a carbon purifying air filter, that effectively protects your kitchen from odours and grease.



Flexible Installation

Flexible installation options. This Whirlpool Hood can be operated in either Ducted or Recirculated mode (filter needed), so you can enjoy complete freedom when designing your kitchen.



Mechanical control

Effortless control. This Whirlpool Hood includes an analogue control interface designed for simplicity and ease-of-use.



3 Speeds

Versatile performance. This Whirlpool Hood offers 3 speed options, giving you complete control over the extraction rate.



Wall-mounted installation

Wall-mounted installation. This wall-mounted Whirlpool Hood is a breeze to install.



Total annual energy consumption

Ideal performance, outstanding savings. Whirlpool Hoods are designed to provide exceptional results, while reducing energy costs.



Mechanical Slider

Effortless control. This Whirlpool Hood features a slider controller, providing effortless control of your appliance.



Halogen Lamps

Halogen lamps generate 3 times more light than normal lamps, so you can always see what's cooking.



Glass flap

Eye-catching design. This Whirlpool Hood features a modern glass flap, ensuring a modern, minimal design.



Energy class D

This is an Energy Class D appliance.

WSLCSE 65 AS GR/1

12NC: 857842015090

GTIN (EAN) code: 8003437206672

Whirlpool

SENSING THE DIFFERENCE

MAIN FEATURES

Product group	Hood
Colour body	Grey
Material body	Metal
Colour chimney	N/A
Material chimney	N/A
Typology	Wall-mounted
Installation type	Wall-mounted
Type of control	Mechanical
Type of control settings	-
Decor panel options	Possible and included
Motor location	Integrated motor in hood body
Operating Mode	Convertible
Electrical connection rating (W)	133
Current (A)	0,6
Voltage (V)	220-240
Frequency (Hz)	50/60
Length of Electrical Supply Cord (cm)	150
Plug type	No
Chimney height (mm)	0-0
Height of product, without chimney (mm)	130
Height of the product	130
Width of the product	599
Depth of the product	515
Minimum niche height	0
Minimum niche width	0
Niche depth	0
Net weight (kg)	5.7

TECHNICAL FEATURES

Type of manual control devices	Slider
Type of automatic control devices	-
Number of motors	1
Total power of the motors (W)	105
Number of speed settings: boost option availability	3
Boost presence	No
Maximum output air extraction (m ³ /h)	175
Boost position air extraction (m ³ /h)	0
Maximum output recirculating air (m ³ /h)	135
Boost position output recirculating (m ³ /h)	0
Light Control Type	Steps
Number of lights	1
Type of lamps used	Halogen
Total power of the lamps (W)	28
Diameter of air outlet (mm)	120
No-return airflow flap	No
Grease filter material	Not washable synthetic
Odour filter	Yes

PERFORMANCES

Sound power at min. speed (2010/30/EU)	62
Sound power at max. speed (2010/30/EU)	69
Noise level with boost position (dB(A) re 1 pW)	0

ENERG Y IJA
енергия · енергия · IE IA

WHIRLPOOL
WSLCSE 65 AS GR/1

A+++
A++
A+
A
B
C
D

78.9
kWh/annum

ABCDEFg ABCDEFg ABCDEFg **69** dB

65/2014