

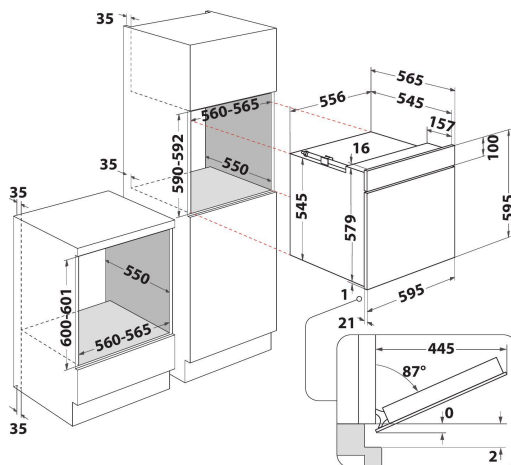
OSA Y3G3F IX

12NC: 859991571500

GTIN (EAN) code: 8003437238017

Whirlpool

SENSING THE DIFFERENCE



- Energy class A
- Cavity 62 L
- Grill
- Easy Clean Enamel Interior
- Conventional Cooking
- Metal handle
- Door Glasses Number: 2
- Protuding handle
- Grill 1500 W
- 1 Grid
- 1 Tray
- Motorized Turn Spit
- Digital display (Invensys)
- Float Glass and N/A Bottom Front Trim
- Dimensions HxWxD: 595x595x565 mm
- Product Segment: Absolute Inox
- Inox finishing

Whirlpool built in gas oven: inox color - OSA Y3G3F IX

This Whirlpool built in Oven features: gas power supply.



Absolute aesthetic

The Absolute collection. Admire the beauty of performance. With a futuristic design and unparalleled performance, the Absolute collection is designed for modern, high-tech kitchens. Equipped with innovative 6TH SENSE technology, Absolute ovens can be set in three simple steps for perfect results. Maximum flexibility and ease of use with a distinctive look and original finishes.



Small cavity

This Whirlpool Oven features a compact-size cavity.



Energy class

Outstanding energy savings. Ovens with an A/ A+ energy rating offer an excellent level of energy efficiency, ensuring lower consumption and saving you money on your energy bills.



Energy class A

Energy efficient. With its A energy rating, this Whirlpool appliance will allow you to enjoy both ideal performance and excellent energy consumption.

OSA Y3G3F IX

12NC: 859991571500

GTIN (EAN) code: 8003437238017

Whirlpool

SENSING THE DIFFERENCE

MAIN FEATURES


Product group	Oven
Commercial code	OSA Y3G3F IX
Main colour of product	Inox
Construction type	Built-in
Type of control	Mechanical and electronic
Type of control settings	-
Are any hobs controls integrated?	No
Which kind of hobs can be controlled?	-
Automatic programmes	No
Current (A)	0,8
Voltage (V)	220-240
Frequency (Hz)	50/60
Length of Electrical Supply Cord (cm)	150
Plug type	No
Depth with open door 90 degree (mm)	-
Height of the product	595
Width of the product	595
Depth of the product	565
Minimum niche height	0
Minimum niche width	0
Niche depth	0
Net weight (kg)	31.8
Usable volume (of cavity)	62
Integrated Cleaning system	No
Grids of the cavity	1
Trays	1

TECHNICAL FEATURES

Timer	Yes
Time control	Electronic
Time-setting options	No delay options
Safety device	-
Interior light	Yes
Number of interior lights of the cavity	1
Position of interior lights of the cavity	Rear right
Oven guides of the cavity	Grids
Probe of the cavity	No

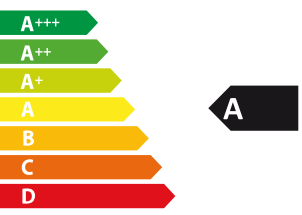
PERFORMANCES


Energy input	Gas
Type of energy of the cavity	Gas
Energy efficiency class - NEW (2010/30/EU)	A
Energy consumption per cycle conventional - NEW (2010/30/EU)	0
Energy consumption per cycle forced air convection - NEW (2010/30/EU)	0

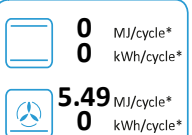


ENERG
енергия · ενεργεια
IE IA

WHIRLPOOL
OSA Y3G3F IX




62 L


0 MJ/cycle*
0 kWh/cycle*
5.49 MJ/cycle*
0 kWh/cycle*

* цешья · siklus · portion · zykhus · πρόγραμμα · ciclo · tsükkel · ohjelma · ciklus · ciklus · ciklu · ciklus · cykl · ciclo · program · cykel

65/2014