

# AKR 047/01/IX SA

12NC: 857804780110

GTIN (EAN) code: 8003437208799

Whirlpool

SENSING THE DIFFERENCE



## Whirlpool built in gas oven: inox color - AKR 047/01/IX SA

This Whirlpool built in Oven features: gas power supply.



### XXL cavity

All the space you need. The XXL cavity in your oven has a capacity of 75 litres with 5 different shelf positions available.



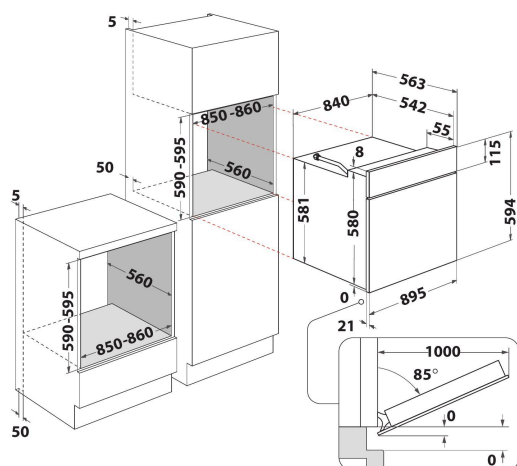
### Energy class

Outstanding energy savings. Ovens with an A/ A+ energy rating offer an excellent level of energy efficiency, ensuring lower consumption and saving you money on your energy bills.



### Energy class A

Energy efficient. With its A energy rating, this Whirlpool appliance will allow you to enjoy both ideal performance and excellent energy consumption.



- Energy class A
- Cavity 95 L
- Grill
- Easy Clean Enamel Interior
- Maxi cooking
- Metal handle
- Door Glasses Number: 2
- Protuding handle
- 2 Grids
- 1 Tray
- Motorized Turn Spit
- Electronic Temperature Control
- Mechanic programmer
- Mirror Glass and Inox Bottom Front Trim
- Dimensions HxWxD: 594x895x530 mm
- Product Segment: Genesis
- Inox finishing

# AKR 047/01/IX SA

12NC: 857804780110

GTIN (EAN) code: 8003437208799

# Whirlpool

SENSING THE DIFFERENCE

## MAIN FEATURES


Product group	Oven
Commercial code	AKR 047/01/IX SA
Main colour of product	Inox
Construction type	Built-in
Type of control	Mechanical
Type of control settings	-
Are any hobs controls integrated?	No
Which kind of hobs can be controlled?	-
Automatic programmes	No
Current (A)	0,4
Voltage (V)	220-240
Frequency (Hz)	50/60
Length of Electrical Supply Cord (cm)	200
Plug type	No
Depth with open door 90 degree (mm)	-
Height of the product	594
Width of the product	895
Depth of the product	530
Minimum niche height	0
Minimum niche width	0
Niche depth	0
Net weight (kg)	51.1
Usable volume (of cavity)	0
Integrated Cleaning system	No
Grids of the cavity	2
Trays	1

## TECHNICAL FEATURES

Timer	-
Time control	Mechanical
Time-setting options	No delay options
Safety device	-
Interior light	Yes
Number of interior lights of the cavity	2
Position of interior lights of the cavity	Rear
Oven guides of the cavity	Grids
Probe of the cavity	No

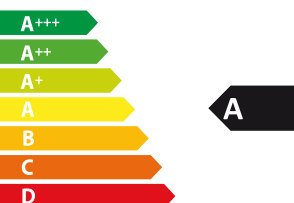
## PERFORMANCES


Energy input	Gas
Type of energy of the cavity	Gas
Energy efficiency class - NEW (2010/30/EU)	A
Energy consumption per cycle conventional - NEW (2010/30/EU)	0
Energy consumption per cycle forced air convection - NEW (2010/30/EU)	0

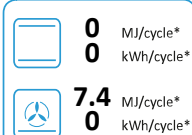


**ENERG**  
енергия · ενεργεια  
Y IA  
IE 1A

**WHIRLPOOL**  
AKR 047/01/IX SA



  
**95 L**

  
**0** MJ/cycle\*  
**0** kWh/cycle\*  
**7.4** MJ/cycle\*  
**0** kWh/cycle\*

\* цешья · siklus · portion · zklus · πρόγραμμα · ciclo · tsükkel · ohjelma · ciklus  
ciklus · ciklus · ciklu · ciklus · cykl · ciclo · program · cycle

65/2014