

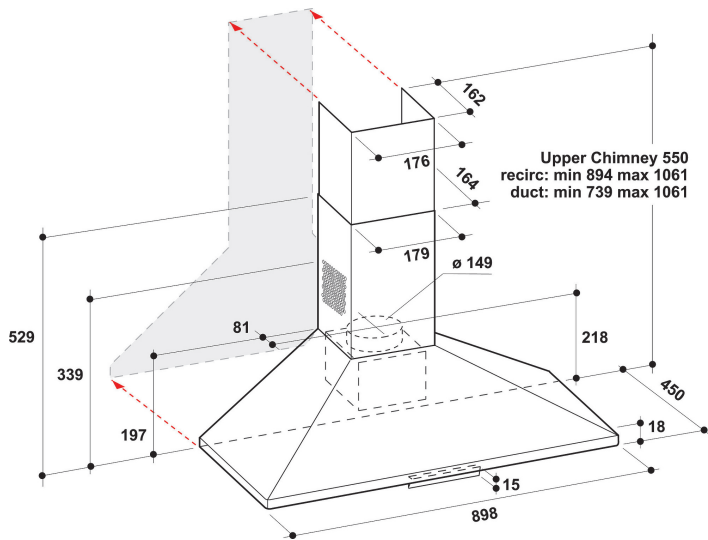
# AKR 945 IX

12NC: 857894580000

GTIN (EAN) code: 8003437986291

Whirlpool

SENSING THE DIFFERENCE



- Maximum noise level 61 dBA
- Noise Level (min. - max.): 45-61 dBA
- Air Flow (min. - max.): 185, 368 m<sup>3</sup>/h
- Maximum extraction rate: 368 (m<sup>3</sup>/h)
- Energy class E
- 3 speed settings
- Integrated controls
- Odour Filter
- 2 Halogen, 56 W lamps
- 1 x 120 W motor
- Mechanical Slider
- 3 Washable aluminium filters
- Grease Filtering Efficiency Class: C
- Lighting Efficiency Class: G
- Fluid Dynamic Efficiency Class: F
- Operating Mode: Air extraction, Recirculating air
- Inox Finishing

## Whirlpool wall mounted cooker hood - AKR 945 IX

This Whirlpool wall mounted Cooker Hood features: dishwasher-safe, washable aluminium grease filters. An outstanding cooker extractor fan, ensuring a fresh, grease-free cooking environment. Between 60cm and 90cm wide appliance. New design ensuring extra silent performance.



### Carbon Filter Included

Enjoy fresh air in your kitchen, always. This Whirlpool Hood includes a carbon purifying air filter, that effectively protects your kitchen from odours and grease.



### Flexible Installation

Flexible installation options. This Whirlpool Hood can be operated in either Ducted or Recirculated mode (filter needed), so you can enjoy complete freedom when designing your kitchen.



### Mechanical control

Effortless control. This Whirlpool Hood includes an analogue control interface designed for simplicity and ease-of-use.



### 3 Speeds

Versatile performance. This Whirlpool Hood offers 3 speed options, giving you complete control over the extraction rate.



### Super Silent

Silent efficiency. This Whirlpool Hood is designed to operate at low noise-levels, so you can enjoy some extra peace and quiet.



### Wall-mounted installation

Wall-mounted installation. This wall-mounted Whirlpool Hood is a breeze to install.



### Total annual energy consumption

Ideal performance, outstanding savings. Whirlpool Hoods are designed to provide exceptional results, while reducing energy costs.



### Mechanical Slider

Effortless control. This Whirlpool Hood features a slider controller, providing effortless control of your appliance.



### Halogen Lamps

Halogen lamps generate 3 times more light than normal lamps, so you can always see what's cooking.



### 2 lights

Perfect lighting. This Whirlpool Hood features two integrated lights, providing ideal illumination, so you'll always be able to see what's cooking.



### Energy class E

This is an Energy Class E appliance.

# AKR 945 IX

12NC: 857894580000

GTIN (EAN) code: 8003437986291

**Whirlpool**

SENSING THE DIFFERENCE

## MAIN FEATURES

Product group	Hood
Colour body	Inox
Material body	Stainless steel
Colour chimney	Inox
Material chimney	Stainless steel
Typology	Wall-mounted
Installation type	Wall-mounted
Type of control	Mechanical
Type of control settings	-
Decor panel options	N/A
Motor location	Integrated motor in hood body
Operating Mode	Convertible
Electrical connection rating (W)	176
Current (A)	0,8
Voltage (V)	220-240
Frequency (Hz)	50/60
Length of Electrical Supply Cord (cm)	150
Plug type	No
Chimney height (mm)	259-560
Height of product, without chimney (mm)	197
Height of the product	861
Width of the product	898
Depth of the product	450
Minimum niche height	0
Minimum niche width	0
Niche depth	0
Net weight (kg)	7.8

## TECHNICAL FEATURES

Type of manual control devices	Slider
Type of automatic control devices	-
Number of motors	1
Total power of the motors (W)	120
Number of speed settings: boost option availability	3
Boost presence	No
Maximum output air extraction (m <sup>3</sup> /h)	416
Boost position air extraction (m <sup>3</sup> /h)	0
Maximum output recirculating air (m <sup>3</sup> /h)	347
Boost position output recirculating (m <sup>3</sup> /h)	0
Light Control Type	Steps
Number of lights	2
Type of lamps used	Halogen
Total power of the lamps (W)	56
Diameter of air outlet (mm)	150
No-return airflow flap	Yes
Grease filter material	Washable aluminium
Odour filter	Yes

## PERFORMANCES

Sound power at min. speed (2010/30/EU)	45
Sound power at max. speed (2010/30/EU)	61
Noise level with boost position (dB(A) re 1 pW)	0

**ENERG** Y IJA  
енергия · енергия · IE IA

**WHIRLPOOL** AKR 945 IX

A+++  
A++  
A+  
A  
B  
C  
D

**117.7**  
kWh/annum

ABCDEFg ABCDEFg ABCDEFg **61** dB

65/2014