

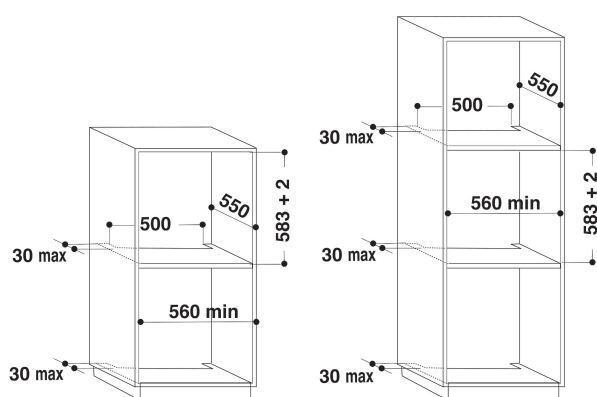
# AKG 662/IX

12NC: 853566279000

GTIN (EAN) code: -

**Whirlpool**

SENSING THE DIFFERENCE



## MAIN FEATURES

Product group	Oven
Commercial code	AKG 662/IX
Main colour of product	Inox
Construction type	Built-in
Type of control	Mechanical
Type of control settings	-
Are any hobs controls integrated?	No
Which kind of hobs can be controlled?	-
Automatic programmes	No
Current (A)	0,2
Voltage (V)	220-240
Frequency (Hz)	50/60
Length of Electrical Supply Cord (cm)	150
Plug type	UK
Depth with open door 90 degree (mm)	-
Height of the product	591
Width of the product	597
Depth of the product	525
Minimum niche height	0
Minimum niche width	0
Niche depth	0
Net weight (kg)	34,5
Usable volume (of cavity)	59
Integrated Cleaning system	No
Grids of the cavity	1
Trays	1

## TECHNICAL FEATURES

Timer	-
Time control	Mechanical
Time-setting options	Start
Safety device	-
Interior light	-
Number of interior lights of the cavity	1
Position of interior lights of the cavity	Rear
Oven guides of the cavity	Grids
Probe of the cavity	No

## PERFORMANCES

Energy input	Gas
Type of energy of the cavity	Gas
Energy efficiency class	N/A
Energy consumption conventional (kWh)	0
Energy consumption forced air convection (kWh)	0