

AKP 560 IX

12NC: 857756038500

GTIN (EAN) code: 8003437936005

Whirlpool

SENSING THE DIFFERENCE



Whirlpool built in electric oven: inox color - AKP 560 IX

This Whirlpool built in Oven features: advanced electric technology allowing you to cook dishes saving energy.



Multifunction 5

Multiple cooking methods. The Multifunction 5 feature offers flexible cooking options, to ensure perfect results, whatever the recipe.



Standard cavity

This Whirlpool Oven features a standard-size cavity.



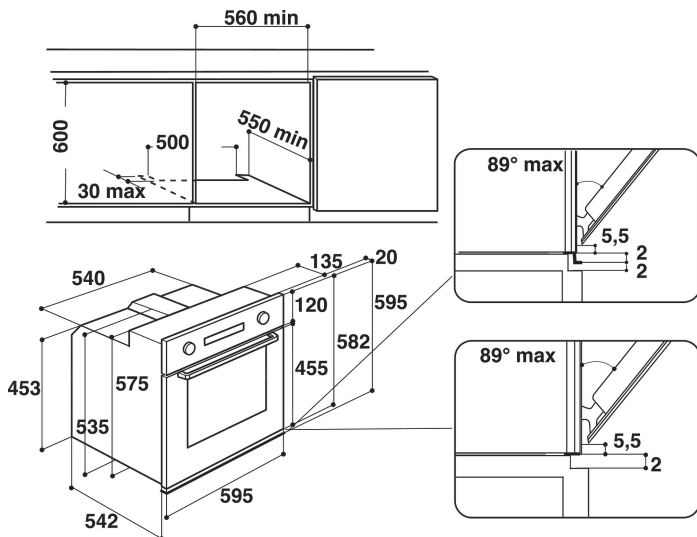
Energy class

Outstanding energy savings. Ovens with an A/ A+ energy rating offer an excellent level of energy efficiency, ensuring lower consumption and saving you money on your energy bills.



Energy class A

Energy efficient. With its A energy rating, this Whirlpool appliance will allow you to enjoy both ideal performance and excellent energy consumption.



- Energy class A
- Cavity 65 L
- Defrost function
- Grill
- Easy Clean Enamel Interior
- Turbo grill function
- Pastry function
- Tilting Grill for easy cleaning
- Conventional Cooking
- Door Glasses Number: 2
- Switch-off timer
- Grill 2500 W
- 1 Grid
- 2 Trays
- Mechanic programmer
- Mirror Glass and Black Bottom Front Trim
- Niche dimensions (HxWxD): 600x560x550 mm

AKP 560 IX

12NC: 857756038500

GTIN (EAN) code: 8003437936005

Whirlpool

SENSING THE DIFFERENCE

MAIN FEATURES

Product group	Oven
Commercial code	AKP 560 IX
Main colour of product	Inox
Construction type	Built-in
Type of control	Mechanical
Type of control settings	-
Are any hobs controls integrated?	No
Which kind of hobs can be controlled?	-
Automatic programmes	No
Current (A)	13
Voltage (V)	220-240
Frequency (Hz)	50/60
Length of Electrical Supply Cord (cm)	90
Plug type	No
Depth with open door 90 degree (mm)	-
Height of the product	595
Width of the product	595
Depth of the product	564
Minimum niche height	0
Minimum niche width	0
Niche depth	0
Net weight (kg)	34
Usable volume (of cavity)	60
Integrated Cleaning system	No
Grids of the cavity	1
Trays	2

TECHNICAL FEATURES

Timer	-
Time control	Mechanical
Time-setting options	Start and Stop
Safety device	-
Interior light	Yes
Number of interior lights of the cavity	1
Position of interior lights of the cavity	Rear
Oven guides of the cavity	Grids
Probe of the cavity	No

PERFORMANCES

Energy input	Electric
Type of energy of the cavity	Electricity
Energy efficiency class - NEW (2010/30/EU)	A
Energy consumption per cycle conventional - NEW (2010/30/EU)	0.78
Energy consumption per cycle forced air convection - NEW (2010/30/EU)	0.85

ENERG Y UA
енергия · ενεργεια IE 1A

WHIRLPOOL AKP 560 IX

A

65 L

0.78 kWh/cycle*

0.85 kWh/cycle*

* ημερησίο κύκλος - parhion - zyklos - nopolyqayua - ciclo - tsükkel - ohjelma - ciklus - cikls - ciklu - cyclus - cykl - ciclu - program - cykel

65/2014