

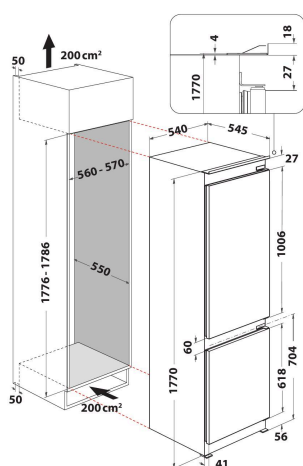
ART 872/A+/NF

12NC: 856488415000

GTIN (EAN) code: 8003437040719

Whirlpool

SENSING THE DIFFERENCE



- Energy class A+
- 6TH Sense FreshControl
- Total net capacity: 264 l (201 l refrigerator + 63 l freezer)
- Product dimensions (HxWxD): 1770x540x545 mm
- Reversible door
- Noise level: 38 dB(A)
- No frost
- Climatic class SN-T
- Freezing capacity: 6 Kg/24 h
- Fast Freeze Compartment
- Door alarm
- Automatic defrost system in fridge compartment
- Temperature rise time 16 h
- Temperature adjustable
- Ventilation System
- LED lighting
- Cooling System for Fridge Compartment: No Frost

Whirlpool built in fridge freezer: frost free - ART 872/A+/NF

This Whirlpool built in Fridge Freezer features: white color. No frost, frost free technology, that effectively prevents ice build-up in your Freezer, by reducing humidity levels. Glass shelves, providing both robustness and elegance. A fan that provides a smooth and even flow of air in your appliance's cavity, for enhanced ventilation. Unique 6th SENSE FreshControl technology, that automatically adjusts temperature and humidity levels inside your appliance, ensuring long-lasting freshness.



Fresh Control

Fresher, for longer. The unique 6TH SENSE Fresh Control technology dynamically adjusts the humidity levels and temperature inside your freezer, to ensure long-lasting freshness (up to 4 times longer).



NO FROST

No defrosting required. NoFrost technology reduces the humidity inside the freezer, preventing ice build-up.



Electronic control system

Pitch-perfect performance. This Whirlpool Fridge Freezer features an Electronic control system that ensures correct parameter settings at all times, providing the ideal performance and temperature control.



Space Management

All the space you need. This Whirlpool Fridge Freezer's innovative design provides all the space and flexibility you need to comfortably and easily store your food and drink.



Ventilation

This Whirlpool Fridge Freezer features a fan that provides a smooth and even flow of air in your appliance's cavity, for enhanced ventilation.



Energy class A+

Outstanding energy efficiency. With its A+ energy rating, this Whirlpool appliance will allow you to enjoy both ideal performance and excellent energy consumption.



Glass shelves

A passion for beauty in every detail. This Whirlpool Refrigerator includes glass shelves designed to combine beauty and functionality, and providing you the most fulfilling user experience imaginable.



LED lighting

Perfect illumination. Energy-efficient LEDs spread light evenly throughout the refrigerator cavity, making it easier to find what you're looking for.

ART 872/A+/NF

12NC: 856488415000

GTIN (EAN) code: 8003437040719

Whirlpool

SENSING THE DIFFERENCE

MAIN FEATURES

Product group	Fridge/freezer combination
Installation type	Built-in
Type of control	Electronic
Construction type	Built-in
Main colour of product	White
Electrical connection rating (W)	160
Current (A)	16
Voltage (V)	220-240
Frequency (Hz)	50
Number of compressors	1
Length of Electrical Supply Cord (cm)	200
Plug type	UK
Total unit net capacity (l)	264
Star Rating	4
Height of the product	1770
Width of the product	540
Depth of the product	545
Maximum adjustability feet	0
Net weight (kg)	58

TECHNICAL FEATURES

Defrost process fridge section	Automatic
Defrost process freezer section	Frost-free
Fast cooling possibility	No
Fast freezing function	No
Door opened indicator freezer	No
Temperature adjustable	Yes
Temperature adjustable freezer	Yes
Interior ventilator fridge section	Yes
Number of freezing drawers	3
Automatic motor-driven ice-maker	No
Number of shelves in fridge compartment	5
Material of the shelves	Glass
Thermometer fridge section	None
Thermometer freezer section	None
Number of temperature zones	1

PERFORMANCES

Energy efficiency class - NEW (2010/30/EU)	A+
Energy consumption annual (kWh/annum) - NEW (2010/30/EU)	297
Refrigerator Net capacity (l) - NEW (2010/30/EU)	201
Freezer Net capacity (l) - NEW (2010/30/EU)	63
Freezing capacity (kg/24h) - NEW (2010/30/EU)	6
Climate class	SN-T
Noise level (dB(A) re 1 pW)	38
Frost free system	Freezer

