

AKG 612 IX

12NC: 853561201000

GTIN (EAN) code: 8003437987823

Whirlpool

SENSING THE DIFFERENCE



Whirlpool built in electric oven: inox color - AKG 612 IX

This Whirlpool built in Oven features: advanced electric technology allowing you to cook dishes saving energy. Innovative Cook3 function, that allows you to cook up to three separate dishes at the same time, without the risk of aromas mixing.



Cook3

No aroma mixing. With the innovative Cook3 function, you can cook up to three separate dishes at the same time, without the risk of aromas mixing.



Multifunction 8

Multiple cooking methods. The Multifunction 8 feature offers flexible cooking options, to ensure perfect results, whatever the recipe.



Sliding shelves

Smooth motion. This Whirlpool oven features soft-sliding shelves, for increased ease of use.



Push push

The knobs' 'push push' design ensure extra comfortable ease of use and a premium look.



XXL cavity

All the space you need. The XXL cavity in your oven has a capacity of 75 litres with 5 different shelf positions available.



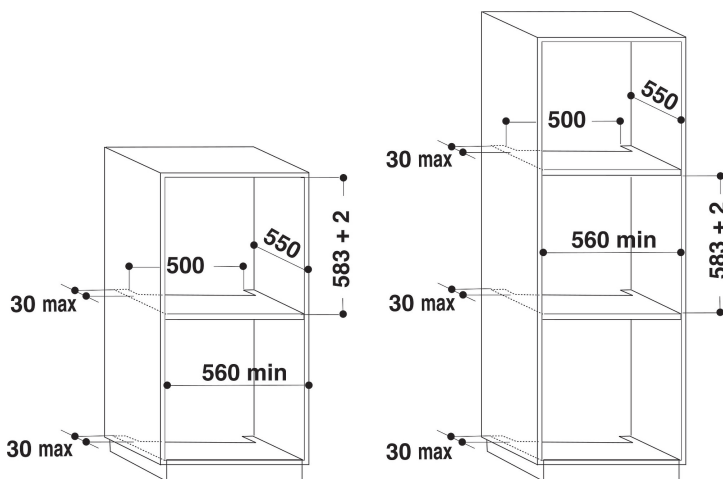
Energy class

Outstanding energy savings. Ovens with an A/ A+ energy rating offer an excellent level of energy efficiency, ensuring lower consumption and saving you money on your energy bills.



Energy class A

Energy efficient. With its A energy rating, this Whirlpool appliance will allow you to enjoy both ideal performance and excellent energy consumption.



- Energy class A
- Cavity 89 L
- Cook3
- Defrost function
- Forced Air Fan Cooking
- Turbo Fan
- Grill
- Easy Clean Enamel Interior
- Turbo grill function
- Pastry function
- Conventional Cooking
- "Push Push" knobs
- Door Glasses Number: 2
- Protuding handle
- Child Lock
- Timer
- Grill 2850 W

AKG 612 IX

12NC: 853561201000

GTIN (EAN) code: 8003437987823

Whirlpool

SENSING THE DIFFERENCE

MAIN FEATURES

| | |
|---------------------------------------|---------------------------|
| Product group | Oven |
| Commercial code | AKG 612 IX |
| Main colour of product | Inox |
| Construction type | Built-in |
| Type of control | Mechanical and electronic |
| Type of control settings | - |
| Are any hobs controls integrated? | No |
| Which kind of hobs can be controlled? | - |
| Automatic programmes | No |
| Current (A) | 13 |
| Voltage (V) | 220-240 |
| Frequency (Hz) | 50/60 |
| Length of Electrical Supply Cord (cm) | 110 |
| Plug type | No |
| Depth with open door 90 degree (mm) | - |
| Height of the product | 477 |
| Width of the product | 893 |
| Depth of the product | 538 |
| Minimum niche height | 0 |
| Minimum niche width | 0 |
| Niche depth | 0 |
| Net weight (kg) | 51 |
| Usable volume (of cavity) | 75 |
| Integrated Cleaning system | No |
| Grids of the cavity | 2 |
| Trays | 1 |

TECHNICAL FEATURES

| | |
|---|----------------|
| Timer | - |
| Time control | Electronic |
| Time-setting options | Start and Stop |
| Safety device | - |
| Interior light | Yes |
| Number of interior lights of the cavity | 2 |
| Position of interior lights of the cavity | Rear |
| Oven guides of the cavity | Grids |
| Probe of the cavity | No |

PERFORMANCES

| | |
|---|-------------|
| Energy input | Electric |
| Type of energy of the cavity | Electricity |
| Energy efficiency class - NEW (2010/30/EU) | A |
| Energy consumption per cycle conventional - NEW (2010/30/EU) | 0.98 |
| Energy consumption per cycle forced air convection - NEW (2010/30/EU) | 0.82 |

ENERG Y IA IE 1A
WHIRLPOOL AKG 612 IX

89 L

0.98 kWh/cycle*
0.82 kWh/cycle*

A

* црна - cyklus - portion - zykus - nopolymama - ciclo - tsükkel - ohjelma - ciklus
ciklus - cikls - ciklu - cyclus - cykl - ciclu - program - cykel

65/2014