

Always here to help you / 始终如一地为您提供帮助

Register your product and get support at / 请登录以下网址并得到相应的帮助
www.philips.com/welcome




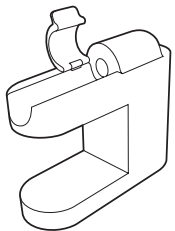



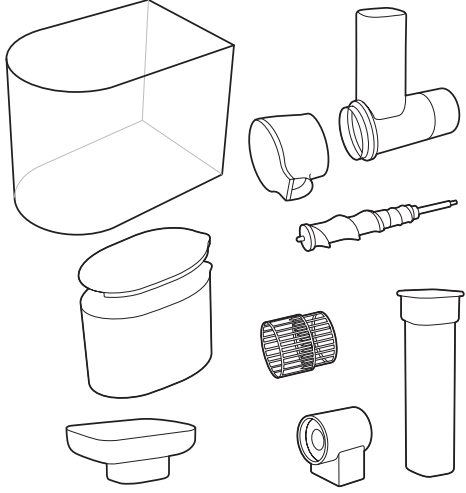





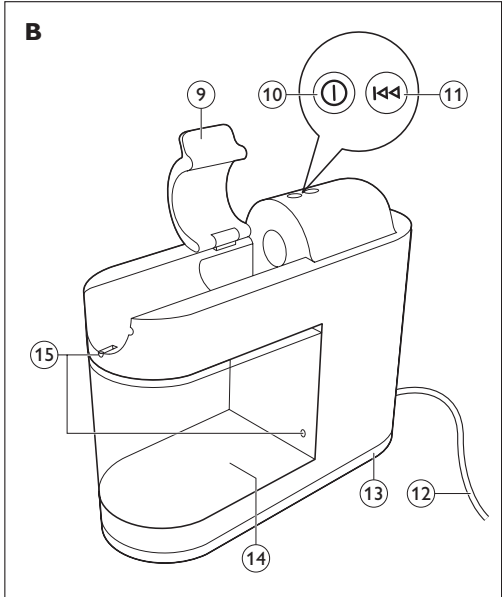
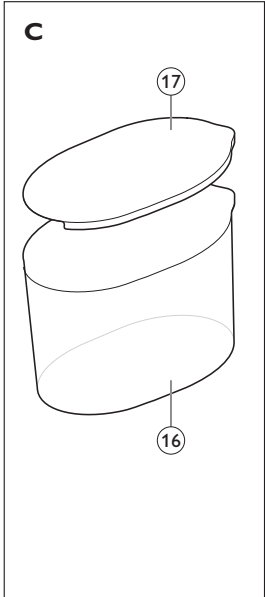
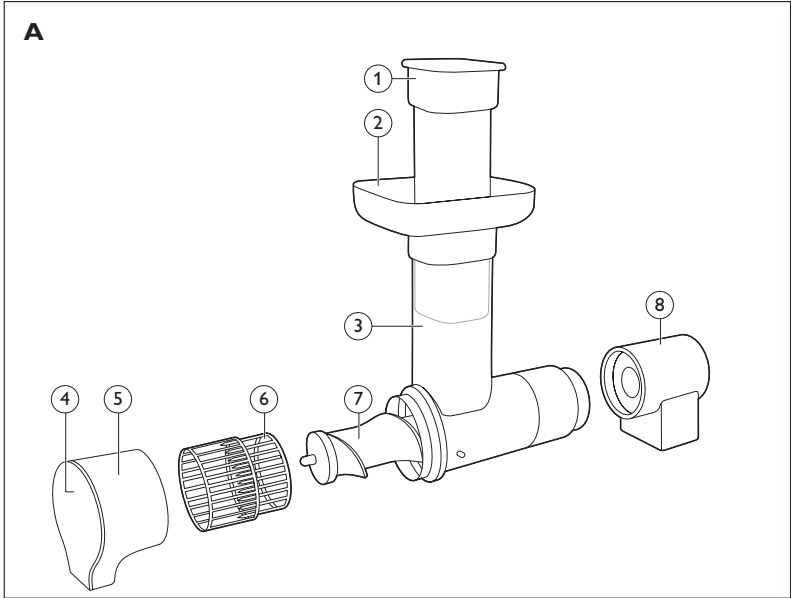
HR1899
HR1897
HR1896
HR1895
HR1894



PHILIPS



			 17
			
			



HR1899, HR1897, HR1896, HR1895, HR1894

ENGLISH	6
INDONESIA	11
한국어	16
BAHASA MELAYU	21
ภาษาไทย	27
TIẾNG VIỆT	31
繁體中文	36
简体中文	41
فارسی	50
العربية	54

Introduction

Congratulations on your purchase and welcome to Philips! To fully benefit from the support that Philips offers, register your product at www.philips.com/welcome. This Philips Avance slow juicer helps you to get all the goodness of fruits and vegetables into your glass, so that you can enjoy tasty and healthy juices every day. Its innovative technology allows you to extract up to the maximum of fruits and vegetables and to quickly clean the appliance in less than 1 minute. The fully integrated design was developed to take up little space and to give you great results.

General description (Fig. 1)

- A Juicing unit
 - 1 Pusher
 - 2 Berry tray
 - 3 Feeding tube
 - 4 Drip stop
 - 5 Spout
 - 6 Black two-part filter for clear juice
 - 7 Juicing screw
 - 8 Pulp outlet
- B Motor unit
 - 9 Locking clamp
 - 10 On/off button with power-on light
 - 11 Reverse/Pre-clean button
 - 12 Mains cord
 - 13 Cord storage facility
 - 14 Pulp container
 - 15 Safety pins
- C Jug (HR1899/HR1897/HR1895 only)
 - 16 Juice jug
 - 17 Lid of juice jug

Not shown: grey two-part filter for fibre juice (HR1899/HR1897/HR1896 only)

Important

Read this user manual carefully before you use the appliance and save it for future reference.

Danger

- Do not immerse the motor unit in water or any other liquid. Do not rinse it under the tap and do not clean it in the dishwasher.

Warning

- Check if the voltage indicated on the base of the appliance corresponds to the local mains voltage before you connect the appliance.
- Do not use the appliance if the plug, the mains cord or other parts are damaged. If the mains cord is damaged, you must have it replaced by Philips, a service centre authorised by Philips or similarly qualified persons in order to avoid a hazard.
- This appliance is intended for household use only. If the appliance is used improperly or for professional or semi-professional purposes or if it is not used according to the instructions in the user manual, the guarantee becomes invalid and Philips refuses any liability for damage caused.
- This appliance is not intended for use by persons (including children) with reduced physical, sensory or mental capabilities, or lack of experience and knowledge, unless they have been given supervision or instruction concerning use of the appliance by a person responsible for their safety.
- Children should be supervised to ensure that they do not play with the appliance.

- Keep the appliance and its cord out of the reach of children.
- Never reach into the feeding tube with your fingers or an object while the appliance is operating. Only use the pusher for this purpose.
- Always disconnect the appliance from the mains if you leave it unattended or before you assemble, disassemble or clean it.
- Always unwind the mains cord completely before you switch on the appliance.
- Never let the appliance operate unattended.

Caution

- Never use any accessories or parts from other manufacturers or that Philips does not specifically recommend. If you use such accessories or parts, your guarantee becomes invalid.
- Always place the appliance on a stable, level and horizontal surface.
- Do not use the appliance outdoors.
- Avoid contact with moving parts.
- Make sure all parts are assembled properly before you switch on the appliance.
- Only use the appliance when the locking clamp is in locked position.
- Only unlock the locking clamp after you have switched off the appliance and the juicing screw has stopped rotating.
- Do not remove the pulp container when the appliance is operating.
- Cut large ingredients into pieces that fit into the feeding tube. Remove stones, cores, seeds and thick peels from fruits or vegetables before juicing.
- Do not exert too much pressure on the pusher to avoid damage.
- Food colouring can discolour parts. This is normal and has no impact on the performance of the appliance.
- To optimise the lifetime of the appliance, do not use it continuously for more than 30 minutes.

Built-in safety lock

The appliance is equipped with a built-in safety lock. The two safety pins on the motor unit ensure that you can only switch on the appliance if you have placed the juicing unit and the pulp container on the motor unit correctly.

Electromagnetic fields (EMF)

This Philips appliance complies with all applicable standards and regulations regarding exposure to electromagnetic fields.

Before first use

Thoroughly clean all parts before you use the appliance for the first time (see chapter 'Cleaning').

Note: Make sure all parts are completely dry before you start using the appliance.

Preparing for use

Assembling the juicing unit

Always unwind the mains cord completely before you switch on the appliance.

- 1** Attach the pulp outlet to the juicing unit and turn it clockwise until the arrow (◀) points to the 'locked' indication. (Fig. 2)
- 2** Insert the juicing screw into the juicing unit (Fig. 3).
- 3** Assemble the two parts of the filter (Fig. 4).
- 4** Place the two-part filter over the juicing screw (Fig. 5).

Tip: Use the black two-part filter for clear juice. If you prefer cloudy juice with more fibres in it, use the grey two-part filter.

- 5 Attach the spout to the juicing unit and turn it clockwise until the arrow (◀) points to the 'locked' indication. (Fig. 6)
- 6 Place the berry tray on the feeding tube (Fig. 7).

Placing the juicing unit onto the motor unit

- 1 Place the assembled juicing unit onto the motor unit, with the pulp outlet fitting into the opening on the motor unit (Fig. 8).
- 2 Align the projections on the juicing unit with the recesses in the motor unit. Slide the juicing unit onto the motor unit until it locks into place. (Fig. 9)
- 3 Press the juicing unit onto the motor unit (1) and then close the locking clamp (2). (Fig. 10)

Note: If the locking clamp cannot be closed, check if the juicing unit is positioned properly with the projections on the juicing unit into the recesses of the motor unit.

- 4 Slide the pulp container into the motor unit (Fig. 11).

Using the appliance

The appliance only functions if the juicing unit and the pulp outlet are assembled correctly and the locking clamp is locked properly.

- 1 Wash the fruit and/or vegetables. If necessary, cut them into pieces that fit into the feeding tube.
- 2 Place a jug or a glass under the spout (Fig. 12).
- 3 Press the on/off button to switch on the appliance (Fig. 13).
- 4 Put the pieces of fruit or vegetables in the feeding tube and gently press them down towards the juicing screw with the pusher (Fig. 14).

Never insert your fingers or an object into the feeding tube or juicing unit.

- 5 When the juice flow has stopped, switch off the appliance and wait until the juicing screw has stopped rotating.
- 6 Press the pre-clean button to remove the last drops of juice from the juicing unit (Fig. 15).
- 7 To prevent juice from dripping onto the table, press the drip stop (Fig. 16).

Tips

- Use fresh fruit and vegetables, as they contain more juice. Pineapples, beetroots, celery stalks, apples, cucumbers, carrots, spinach, melons, tomatoes, pomegranates and grapes are particularly suitable for processing in the juicer.
- You do not have to remove thin peels or skins. Only remove peels which you would not eat, e.g. those of oranges, pineapples, kiwis, melons and uncooked beetroots.
- If you want to juice fruits with stones, such as peaches, plums or cherries, remove the stones before juicing.
- When you prepare apple juice, remember that the thickness of the apple juice depends on the kind of apple you use. The juicier the apple, the thinner the juice. Choose a kind of apple that produces the type of juice you prefer.
- Apple juice turns brown very quickly. To slow down this process, add a few drops of lemon juice.
- This juicer can handle starchy fruits such as bananas and mangoes. You can add milk or water directly through the feeding tube.
- Citrus fruits can also be processed with the juicer; remove the white pith of citrus fruits because it has a bitter taste.

Cleaning (Fig. 17)

- The appliance is easier to clean if you do so immediately after use. Look at the cleaning table to see how all parts can be cleaned.

Never use scouring pads, abrasive cleaning agents or aggressive liquids such as alcohol, petrol or acetone to clean the appliance.

Note: All detachable parts are dishwasher-safe and can be safely cleaned under the tap.

- 1 Switch off the appliance and remove the plug from the wall socket.
- 2 Open the locking clamp (Fig. 18).
- 3 Slide the juicing unit off the motor unit (Fig. 19).
- 4 Remove the pulp container from the motor unit (Fig. 20).
- 5 Empty the pulp container and rinse it under the tap.

Disassembling and cleaning the juicing unit

- 1 Remove the pusher from the feeding tube (Fig. 21).
- 2 Remove the berry tray from the feeding tube (Fig. 22).
- 3 Turn the juice collector anticlockwise until the arrow (◀) points to the 'open' indication and remove it from the juicing unit. (Fig. 23)
- 4 Remove the two-part filter and disassemble it (Fig. 24).
- 5 Remove the juicing screw (Fig. 25).
- 6 Turn the pulp outlet anticlockwise until the arrow (◀) points to the 'open' indication and remove it from the juicing unit. (Fig. 26)

Storage

- 1 Wind the mains cord around the cord storage facility in the base of the motor unit (Fig. 27).
- 2 You can store the pusher, the juice jug and lid, and the berry tray in the pulp container (Fig. 28).

Recycling

Do not throw away the appliance with the normal household waste at the end of its life, but hand it in at an official collection point for recycling. By doing this, you help to preserve the environment.

Ordering accessories

To buy accessories or spare parts, visit www.shop.philips.com/service or go to your Philips dealer. You can also contact the Philips Consumer Care Centre in your country.

Guarantee and support

If you need information or support, please visit www.philips.com/support or read the separate worldwide guarantee leaflet.

Troubleshooting

This chapter summarises the most common problems you could encounter with the appliance. If you are unable to solve the problem with the information below, visit www.philips.com/support for a list of frequently asked questions or contact the Consumer Care Centre in your country.

Problem	Solution
The appliance does not work.	The appliance is equipped with two safety pins. If either the juicing unit or the pulp container has not been placed on the motor unit properly, the appliance does not work. Check whether these parts have been assembled in the right way (see chapter 'Preparing for use'), but switch off the appliance before you do so.
The motor unit gives off an unpleasant smell the first few times the appliance is used.	This is not unusual. If the appliance continues to give off this smell after a few times, check the quantities you are processing and the processing time.
The juicing unit cannot be placed onto the motor unit.	Check if the spout is properly attached to the juicing unit. Make sure that the projections on the juicing unit are aligned with the recesses in the motor unit (see fig. 9).
The juicing unit is blocked.	Press the pre-clean button for a few seconds. If the juicing unit is still blocked, then switch off the appliance, remove the juicing unit and disassemble all parts. Remove the fruit that is blocking the juicing unit. Then process a smaller quantity.
HR1899/HR1897/ HR1896: The power-on light flashes.	The juicing unit is blocked. Press the pre-clean button for a few seconds. If the juicing unit is still blocked, then switch off the appliance, remove the juicing unit and disassemble all parts. Remove the fruit that is blocking the juicing unit. Then process a smaller quantity.

Pendahuluan

Selamat atas pembelian Anda dan selamat datang di Philips! Untuk memanfaatkan sepenuhnya dukungan yang ditawarkan Philips, daftarkan produk Anda di www.philips.com/welcome. Slow juicer Philips Avance ini membantu agar semua manfaat buah-buahan dan sayuran masuk ke dalam gelas Anda, sehingga Anda bisa menikmati jus lezat dan sehat setiap hari. Teknologinya yang inovatif memungkinkan Anda untuk mengekstrak buah-buahan dan sayuran secara maksimal dan membersihkan alat dengan cepat dalam waktu kurang dari 1 menit. Desainnya yang terintegrasi penuh dikembangkan agar tidak memakan tempat dan memberikan hasil yang luar biasa.

Gambaran umum (Gbr. 1)

- A Unit juicer
 - 1 Pendorong
 - 2 Wadah berry
 - 3 Tabung pengisi
 - 4 Penghenti tetesan
 - 5 Cerat
 - 6 Filter dua-bagian warna hitam untuk jus yang jernih
 - 7 Uliiran juicer
 - 8 Saluran keluar ampas
- B Unit motor
 - 9 Jepit pengunci
 - 10 Tombol on/off dengan lampu tanda menyala
 - 11 Tombol Balik/Pra-pembersihan
 - 12 Kabel listrik
 - 13 Tempat penyimpanan kabel
 - 14 Wadah ampas
 - 15 Pin pengaman
- C Tabung (Hanya HR1899/HR1897/HR1895)
 - 16 Tabung jus
 - 17 Tutup tabung jus

Tidak ditunjukkan: filter dua-bagian warna abu-abu untuk jus berserat (Hanya HR1899/HR1897/HR1896)

Penting

Bacalah petunjuk pengguna ini secara saksama sebelum Anda menggunakan alat dan simpan untuk referensi di kemudian hari.

Bahaya

- Jangan memasukkan unit motor ke dalam air atau cairan lain. Jangan membilasnya di bawah keran dan jangan membersihkannya di dalam mesin pencuci piring.

Peringatan

- Periksa apakah voltase yang tertera di bagian bawah alat sudah sesuai dengan voltase listrik lokal sebelum Anda menghubungkan alatnya.
- Jangan gunakan alat jika steker, kabel listrik, atau komponen lainnya rusak. Jika kabel listrik rusak, maka harus diganti oleh Philips, pusat layanan resmi Philips, atau orang yang mempunyai keahlian sejenis agar terhindar dari bahaya.
- Alat ini dimaksudkan untuk penggunaan rumah tangga saja. Jika alat ini digunakan tidak sebagaimana layaknya atau untuk tujuan profesional atau semi-profesional, atau digunakan dengan cara yang tidak sesuai dengan petunjuknya, maka garansi menjadi tidak berlaku dan Philips tidak bertanggung jawab atas setiap kerusakan yang disebabkan.

12 INDONESIA

- Alat ini tidak dimaksudkan untuk digunakan oleh orang (termasuk anak-anak) dengan cacat fisik, indera atau kecakapan mental yang kurang, atau kurang pengalaman dan pengetahuan, kecuali jika mereka diberikan pengawasan atau petunjuk mengenai penggunaan alat oleh orang yang bertanggung jawab bagi keselamatan mereka.
- Anak kecil harus diawasi untuk memastikan mereka tidak bermain-main dengan alat ini.
- Jauhkan alat dan kabelnya dari jangkauan anak-anak.
- Jangan sekali-kali meraih ke dalam tabung pengisi dengan jari-jari Anda atau suatu benda sewaktu alat sedang beroperasi. Hanya gunakan pendorong untuk maksud ini.
- Selalu cabut steker alat dari stopkontak listrik jika Anda akan meninggalkan alat tanpa diawasi atau sebelum memasang, membongkar, atau membersihkannya.
- Selalu lepas gulungan kabel sepenuhnya sebelum alat dihidupkan.
- Jangan sekali-kali membiarkan alat bekerja tanpa diawasi.

Perhatian

- Jangan sekali-kali menggunakan aksesoris atau komponen apa pun dari produsen lain atau yang tidak secara khusus direkomendasikan oleh Philips. Jika Anda menggunakan aksesoris atau komponen tersebut, garansi Anda menjadi batal.
- Selalu letakkan alat pada permukaan yang stabil, rata dan horisontal.
- Jangan menggunakan alat di luar ruangan.
- Hindari kontak dengan komponen bergerak.
- Pastikan semua komponen sudah dipasang dengan benar sebelum alat dihidupkan.
- Gunakan alat hanya jika jepit pengunci telah berada di posisi terkunci.
- Bukalah jepit pengunci setelah alat dimatikan dan uliran juicer sudah berhenti berputar.
- Jangan lepaskan wadah ampas saat alat sedang bekerja.
- Potong-potong buah/sayuran besar sehingga dapat dimasukkan ke dalam tabung pengisi. Buang biji besar; bagian tengah, biji kecil, dan kulit tebal buah atau sayuran sebelum dimasukkan ke dalam juicer.
- Jangan menekan pendorong terlalu kuat agar alat tidak rusak.
- Pewarna makanan bisa merubah warna komponen alat. Ini normal, dan tidak memengaruhi kinerja alat.
- Untuk mengoptimalkan masa pakai alat, jangan gunakan alat terus-menerus selama lebih dari 30 menit.

Kunci pengaman bawaan.

Alat ini dilengkapi dengan kunci pengaman bawaan. Dua pin pengaman di unit motor menjamin alat hanya bisa dihidupkan setelah unit juicer dan wadah ampas diletakkan dengan benar di atas unit motor.

Medan elektromagnet (EMF)

Alat Philips ini mematuhi semua standar dan peraturan yang berlaku terkait paparan terhadap medan elektromagnet.

Sebelum menggunakan alat pertama kali.

Bersihkan semua komponen sebelum Anda menggunakan alat untuk pertama kali (lihat bab 'Membersihkan').

Catatan: Pastikan semua komponen benar-benar kering sebelum mulai digunakan.

Menyiapkan penggunaan

Memasang unit juicer

Selalu lepas gulungan kabel sepenuhnya sebelum alat dihidupkan.

- 1 Pasang saluran keluar ampas ke unit juicer, lalu putar searah jarum jam sampai panah (◀) mengarah pada tanda 'terkunci'. (Gbr. 2)
- 2 Masukkan uliran juicer ke dalam unit juicer (Gbr. 3).
- 3 Pasang kedua bagian filter (Gbr. 4).
- 4 Letakkan filter dua-bagian di atas uliran juicer (Gbr. 5).

Tip: Gunakan filter dua-bagian warna hitam untuk jus yang jernih. Jika Anda lebih menyukai jus yang keruh dengan lebih banyak serat, gunakan filter dua-bagian warna abu-abu.

- 5 Pasang cerat ke unit juicer, lalu putar searah jarum jam sampai panah (◀) mengarah ke tanda 'terkunci'. (Gbr. 6)
- 6 Letakkan wadah berry di atas tabung pengisi (Gbr. 7).

Meletakkan unit juicer di atas unit motor

- 1 Letakkan unit juicer yang sudah dipasang ke atas unit motor, dengan saluran keluar ampas yang terpasang tepat ke dalam bukaan unit motor (Gbr. 8).
- 2 Sejajarkan posisi tonjolan pada unit juicer dengan ceruk pada unit motor. Geser unit juicer ke unit motor sampai terkunci. (Gbr. 9)
- 3 Tekan unit juicer agar terpasang ke unit motor (1), lalu katupkan jepit pengunci (2). (Gbr. 10)

Catatan: Jika jepit pengunci tidak dapat dikatupkan, periksa apakah unit juicer sudah pas terpasang dengan posisi tonjolan unit juicer sejajar dengan ceruk pada unit motor.

- 4 Geser wadah ampas ke dalam unit motor (Gbr. 11).

Menggunakan alat

Alat hanya berfungsi jika unit juicer dan saluran keluar ampas dipasang dengan benar dan jepit pengunci terkatup dengan benar:

- 1 Cucilah buah dan/atau sayuran. Jika perlu, potong-potong sehingga dapat dimasukkan ke dalam tabung pengisi.
- 2 Letakkan tabung atau gelas di bawah cerat (Gbr. 12).
- 3 Tekan tombol on/off untuk menghidupkan alat (Gbr. 13).
- 4 Masukkan potongan buah atau sayuran dalam tabung pengisi dan tekan dengan lembut ke arah uliran juicer menggunakan pendorong (Gbr. 14).

Jangan sekali-kali memasukkan jari tangan atau benda ke dalam tabung pengisi atau unit juicer.

- 5 Setelah aliran jus berhenti, matikan alat dan tunggu sampai uliran juicer berhenti berputar.
- 6 Tekan tombol pra-pembersihan untuk menghilangkan tetesan sisa jus dari unit juicer (Gbr. 15).
- 7 Agar jus tidak menetes ke atas meja, tekan penghenti tetesan (Gbr. 16).

Tip

- Gunakan buah dan sayuran segar, karena mengandung lebih banyak air. Bahan yang cocok diproses dengan juicer terutama adalah nanas, bit, seledri, apel, ketimun, wortel, bayam, melon, tomat, delima dan anggur.
- Anda tidak perlu mengupas kulit tipis. Hanya kulit tebal yang tidak dapat dimakan seperti kulit jeruk, nanas, kiwi, melon dan umbi bit mentah yang perlu dikupas.
- Jika Anda ingin membuat jus dari buah-buahan berbiji, seperti persik, plum, atau ceri, buang bijinya terlebih dahulu.
- Bila membuat jus apel, ingat bahwa kekentalannya tergantung pada jenis apel yang digunakan. Semakin banyak mengandung air, semakin encer jus yang dihasilkan. Pilihlah jenis apel yang sesuai dengan jenis jus yang Anda inginkan.
- Jus apel cepat berubah warna menjadi coklat. Untuk memperlambat proses ini, tambahkan beberapa tetes air jeruk lemon.
- Juicer dapat digunakan untuk mengolah buah-buahan yang mengandung zat tepung seperti pisang dan mangga. Anda bisa menambahkan susu atau air secara langsung melalui tabung pengisi.
- Buah jeruk juga bisa diproses dengan juicer. Kupas serabut putihnya karena memiliki rasa pahit.

Membersihkan (Gbr. 17)

- Alat ini mudah dibersihkan jika Anda melakukannya segera setelah digunakan. Lihat tabel pembersihan untuk melihat cara membersihkan semua komponen.

Jangan sekali-kali menggunakan sabut gosok, bahan pembersih abrasif atau cairan agresif seperti alkohol, bensin atau aseton untuk membersihkan alat.

Catatan: Semua komponen lepas-pasang aman dicuci di dalam mesin pencuci piring dan dapat dibersihkan di bawah keran dengan aman.

- 1 Matikan alat dan lepaskan steker listrik dari stopkontak dinding.
- 2 Buka jepitan pengunci (Gbr. 18).
- 3 Geser unit juicer keluar dari unit motor (Gbr. 19).
- 4 Lepas wadah ampas dari unit motor (Gbr. 20).
- 5 Kosongkan wadah ampas dan bilas di bawah keran.

Melepas dan membersihkan unit juicer

- 1 Lepas pendorong dari tabung pengisi (Gbr. 21).
- 2 Lepas wadah berry dari tabung pengisi (Gbr. 22).
- 3 Putar cerat berlawanan arah jarum jam sampai panah (◀) mengarah ke tanda 'buka', lalu lepaskan dari unit juicer. (Gbr. 23)
- 4 Lepas filter dua-bagian, lalu bongkar filter tersebut (Gbr. 24).
- 5 Lepas uliran juicer (Gbr. 25).
- 6 Putar saluran keluar ampas berlawanan arah jarum jam sampai panah (◀) mengarah ke tanda 'buka', lalu lepas dari unit juicer. (Gbr. 26)

Penyimpanan

- 1 Gulung kabel listrik di tempat penyimpanan kabel di bagian bawah unit motor (Gbr. 27).
- 2 Anda dapat menyimpan pendorong, tabung jus dan tutup, serta wadah berry di dalam wadah ampas (Gbr. 28).

Mendaur ulang

Jangan membuang alat bersama limbah rumah tangga biasa jika alat sudah tidak bisa dipakai lagi, tetapi serahkan ke tempat pengumpulan barang bekas yang resmi untuk didaur ulang. Dengan melakukan ini, berarti Anda ikut membantu melestarikan lingkungan.

Memesan aksesoris

Untuk membeli aksesoris atau suku cadang, kunjungi www.shop.philips.com/service atau kunjungi dealer Philips. Anda juga dapat menghubungi Pusat Layanan Konsumen Philips di negara Anda.

Garansi dan dukungan

Jika Anda membutuhkan informasi atau dukungan, harap kunjungi www.philips.com/support atau bacalah pamflet garansi internasional.

Mengatasi masalah

Bab ini merangkum masalah-masalah paling umum yang mungkin Anda temui pada alat. Jika Anda tidak dapat mengatasi masalah dengan informasi di bawah ini, kunjungi www.philips.com/support untuk melihat daftar pertanyaan yang sering diajukan atau hubungi Pusat Layanan Konsumen di negara Anda.

Masalah

Solusi

Alat tidak mau bekerja.

Alat ini dilengkapi dengan dua pin pengaman. Jika unit juicer atau wadah ampas tidak diletakkan dengan benar di atas unit motor, maka alat tidak akan berfungsi. Periksa apakah komponen ini telah dipasang dengan benar (lihat bab 'Menyiapkan penggunaan'), tetapi matikan alat sebelum Anda melakukannya.

Unit motor mengeluarkan bau yang tidak enak saat baru beberapa kali digunakan.

Ini hal yang biasa. Jika alat terus mengeluarkan bau yang tidak sedap setelah beberapa kali digunakan, periksa jumlah bahan yang Anda proses dan waktu prosesnya.

Unit juicer tidak dapat dipasang ke atas unit motor.

Periksa apakah cerat terpasang dengan benar pada unit juicer. Pastikan posisi tonjolan pada unit juicer selaras dengan ceruk pada unit motor (lihat gbr. 9).

Unit juicer terganjal.

Tekan tombol pra-pembersihan selama beberapa detik. Jika unit juicer masih terganjal, matikan alat, lepas unit juicer dan lepas semua komponen. Keluarkan buah yang mengganjal unit juicer. Lalu proses buah dengan jumlah lebih kecil.

HR1899/HR1897/
HR1896: Lampu tanda menyala berkedip.

Unit juicer terganjal. Tekan tombol pra-pembersihan selama beberapa detik. Jika unit juicer masih terganjal, matikan alat, lepas unit juicer dan lepas semua komponen. Keluarkan buah yang mengganjal unit juicer. Lalu proses buah dengan jumlah lebih kecil.

소개

필립스 제품을 구입해 주셔서 감사합니다! 필립스가 드리는 다양한 혜택을 받으실 수 있도록 www.philips.co.kr/membership에서 제품을 등록하십시오.

필립스 Avance 주서기를 사용하면 과일과 야채의 모든 영양소를 한 컵에 담아 매일 맛 있고 건강한 주스를 마실 수 있습니다. 필립스만의 혁신적인 기술로 과일과 채소를 최대 로 추출할 수 있으며 1분 이내에 제품을 신속하게 세척할 수 있습니다. 공간 효율적인 디자인을 통해 적은 공간을 차지하고도 최고의 만족감을 선사합니다.

제품정보 (그림 1)

- A 주스 추출 유닛
- 1 누름봉
 - 2 깔대기형 받침대
 - 3 투입구
 - 4 누수 방지
 - 5 주스 추출구
 - 6 맑은 주스용 필터(검정색 부품 2개)
 - 7 주스 추출 망
 - 8 찌꺼기 배출구
- B 본체
- 9 잠금 걸쇠
 - 10 전원 표시등이 있는 전원 스위치
 - 11 역방향/사전 세척 버튼
 - 12 전원 코드
 - 13 코드 보관함
 - 14 과육 용기
 - 15 안전핀
- C 용기(HR1899/HR1897/HR1895 모델만 해당)
- 16 주스 용기
 - 17 주스 용기 뚜껑

그림 없음: 섬유질 주스용 필터(회색 부품 2개)(HR1899/HR1897/HR1896 모델만 해당)

중요 사항

본 제품을 사용하기 전에 이 사용 설명서를 주의 깊게 읽고 나중에 참조할 수 있도록 잘 보관하십시오.

주의

- 절대로 본체를 물 또는 다른 액체에 담그거나 수돗물로 세척하지 마십시오. 또한 식기세척기에 넣지 마십시오.

경고

- 제품을 벽 콘센트에 연결하기 전에 제품 하단에 표시되어 있는 전압이 사용 지역의 전압과 일치하는지 확인하십시오.
- 플러그, 전원 코드 또는 다른 부품이 손상된 경우에는 본 제품을 사용하지 마십시오. 전원 코드가 손상된 경우 안전을 위하여 필립스 서비스 센터, 필립스 서비스 지정점 또는 전문 기술자에게 의뢰하여 교체하십시오.
- 본 제품은 가정용입니다. 제품을 부적절하게 사용하거나 사업장이나 준사업장에서 사용하는 경우, 또는 사용 설명서에 따라 이용하지 않는 경우, 보증 서비스를 받을 수 없으며 필립스는 이로 인해 발생한 피해에 대해 책임을 지지 않습니다.
- 신체적인 감각 및 인지능력이 떨어지거나 경험과 지식이 풍부하지 않은 성인 및 어린이는 혼자 제품을 사용하지 말고 제품 사용과 관련하여 안전에 책임질 수 있도록 지시사항을 충분히 숙지한 사람의 도움을 받으십시오.
- 어린이가 제품을 가지고 놀지 못하도록 지도해 주십시오.

- 제품과 전원 코드는 어린이의 손이 닿지 않는 곳에 보관하십시오.
- 제품이 작동하는 도중에는 손가락이나 다른 물체를 재료 투입구에 넣지 마십시오.
- 필요한 경우에는 누름봉만 사용하십시오.
- 제품을 사용하지 않고 자리를 비우거나 제품을 조립, 분리 및 청소하기 전에는 반드시 제품에서 전원 코드를 뽑으십시오.
- 제품의 전원을 켜기 전에 전원 코드를 완전히 푸십시오.
- 제품이 작동 중일 때는 자리를 비우지 마십시오.

주의

- 다른 제조업체에서 만들었거나 필립스에서 권장하지 않은 제품 액세서리 또는 부품은 절대 사용하지 마십시오. 이러한 액세서리나 부품을 사용했을 경우에는 품질 보증이 무효화됩니다.
- 항상 제품을 안정적이고 평평하며 수평인 곳에 두십시오.
- 야외에서는 사용하지 마십시오.
- 움직이는 부품에 닿지 않도록 하십시오.
- 전원을 켜기 전에 모든 부품이 제대로 장착되어 있는지 확인하십시오.
- 잠금 걸쇠가 잠금 상태에 있을 때에만 제품을 사용하십시오.
- 제품 전원을 끄고 주스 추출망이 더 이상 회전하지 않을 때에만 걸쇠를 여십시오.
- 제품이 작동 중일 때에는 과육 용기를 분리하지 마십시오.
- 큰 재료는 재료 투입구에 들어갈 정도로 자르십시오. 넣기 전에 씨나 속을 제거하거나 과일 또는 채소의 두꺼운 껍질을 벗기십시오.
- 손상 방지를 위해 누름봉에 너무 강한 압력을 가하지 마십시오.
- 강한 색상의 재료로 인해 부품이 변색될 수 있습니다. 이는 정상적인 현상이며 제품의 성능에는 영향을 주지 않습니다.
- 제품의 수명을 최적화하려면 30분 이상 연속으로 사용하지 마십시오.

내장된 안전 잠금 장치

이 제품에는 안전 잠금 장치가 내장되어 있습니다. 본체에 안전 핀 2개가 있어 주스 추출 유닛과 본체의 과육 용기를 제대로 장착한 경우에만 제품의 전원을 켤 수 있습니다.

EMF(전자기장)

이 제품은 EMF(전자기장)와 관련된 모든 기준 및 규정을 준수합니다.

처음 사용 전

제품을 처음 사용하기 전에 모든 부품은 깨끗이 세척하십시오(‘세척’란 참조).

참고: 제품을 사용하기 전에 모든 부품의 물기를 완전히 말리십시오.

사용 준비

주스 추출 유닛 조립

제품의 전원을 켜기 전에 전원 코드를 완전히 푸십시오.

- 1 찌꺼기 배출구를 주스 추출 유닛에 부착하고 화살표(◀)가 ‘잠금’ 위치를 향할 때까지 시계 방향으로 돌립니다. (그림 2)
- 2 주스 추출 유닛에 주스 추출망을 넣습니다 (그림 3).
- 3 필터의 두 개 부품을 조립합니다 (그림 4).
- 4 주스용 필터를 주스 추출망 위에 놓습니다 (그림 5).

도움말: 맑은 주스를 원하는 경우 검정색 맑은 주스용 필터를 사용하십시오. 섬유질이 풍부한 주스를 만들고 싶다면 회색 섬유질 주스용 필터를 사용하십시오.

18 한국어

5 주스 추출구를 주스 추출 유닛에 부착하고 화살표(◀)가 ‘잠금’ 위치를 향할 때까지 시계 방향으로 돌립니다. (그림 6)

6 깔대기형 받침대를 투입구에 넣으십시오 (그림 7).

본체에 주스 추출 유닛 장착

1 찌꺼기 배출구를 본체의 입구에 맞게 넣고 조립한 주스 추출 유닛을 본체에 장착하십시오 (그림 8).

2 주스 추출 유닛의 돌출된 부분을 본체의 오목한 곳에 맞춥니다. 주스 추출 유닛의 본체로 밀어 넣어 제자리에 들어가도록 합니다. (그림 9)

3 주스 추출 유닛을 본체(1)에 밀어 넣은 다음 잠금 걸쇠(2)를 닫습니다. (그림 10)

참고: 잠금 걸쇠를 닫을 수 없다면 주스 추출 유닛이 제 위치에 있는지 확인하십시오. 주스 추출 유닛의 돌출된 부분이 본체의 오목한 부분과 맞아야 합니다.

4 과육 용기를 본체에 밀어 넣으십시오 (그림 11).

제품 사용

이 제품은 주스 추출 유닛과 찌꺼기 배출구가 정확하게 장착되고 잠금 걸쇠가 제대로 잠겼을 때만 작동합니다.

1 과일이나 채소는 깨끗이 씻은 후 필요에 따라 재료 투입구에 들어갈 정도의 크기로 자르십시오.

2 배출구 밑에 용기나 컵을 놓으십시오 (그림 12).

3 전원 버튼을 눌러 제품을 켜십시오 (그림 13).

4 과일이나 채소를 재료 투입구에 넣고 누름봉을 이용해 주스 추출망을 향해 누르십시오 (그림 14).

재료 투입구나 주스 추출 유닛에 손가락이나 다른 물체를 넣지 마십시오.

5 더 이상 과즙이 나오지 않으면 제품 전원을 끄고 거름망이 회전을 멈출 때까지 기다리십시오.

6 사전 세척 버튼을 눌러 주스 추출 유닛에서 마지막 한 방울까지 추출합니다 (그림 15).

7 주스가 바닥에 튀는 것을 방지하려면 누수 방지를 누르십시오 (그림 16).

도움말

- 과즙이 많은 신선한 과일과 야채를 사용하십시오. 파인애플, 비트, 셀러리, 사과, 오이, 당근, 시금치, 멜론, 토마토, 석류와 포도는 주서기를 이용해 과즙을 추출하기에 매우 적합합니다.
- 얇은 껍질은 제거하지 않으셔도 됩니다. 오렌지, 파인애플, 키위, 메론 및 익히지 않은 비트 등과 같이 섭취하지 않을 껍질만 벗기십시오.
- 복숭아나 자두, 체리 등과 같이 씨가 있는 과일로 주스를 만들려는 경우 추출 전에 씨를 제거하십시오.
- 사과 주스를 만들 때 주스의 농도는 사용하는 사과에 따라 달라진다는 사실을 기억하십시오. 과즙이 많은 사과를 사용하면 묽은 주스가 추출됩니다. 취향에 맞게 사과를 선택하십시오.
- 사과 주스는 추출 즉시 갈색으로 바뀌는 현상이 있습니다. 레몬 주스를 몇 방울 떨어뜨려 주시면 황화 현상을 지연시킬 수 있습니다.
- 이 주서기는 바나나, 망고와 같이 전분이 많은 과일에도 사용할 수 있습니다. 투입구에 우유나 물을 직접 추가할 수 있습니다.
- 감귤류도 사용할 수 있으나 쓴맛이 나는 흰색 섬유소를 제거하시기 바랍니다.

세척 (그림 17)

- 제품은 사용 후 즉시 청소하는 것이 좋습니다. 모든 부품의 세척하는 방법은 세척 표를 확인하십시오.

제품을 세척할 때 수세미, 연마성 세제나 알콜, 휘발유, 아세톤과 같은 강력 세제를 사용하지 마십시오.

참고: 분리 가능한 모든 부품은 식기세척기로 세척할 수 있으며, 수돗물로 안전하게 세척할 수 있습니다.

- 1 제품 전원을 끄고 벽면 콘센트에서 플러그를 뽑으십시오.
- 2 잠금 걸쇠를 엽니다 (그림 18).
- 3 주스 추출 유닛을 밀어 본체에서 분리합니다 (그림 19).
- 4 과육 용기를 본체에서 분리합니다 (그림 20).
- 5 과육 용기를 비우고 수돗물로 헹굽니다.

주스 추출 유닛을 분리하여 세척합니다.

- 1 투입구에서 누름봉을 분리합니다 (그림 21).
- 2 투입구에서 깔대기형 받침대를 분리합니다 (그림 22).
- 3 주스받이를 화살표(◀)가 '열림' 위치를 향할 때까지 시계 방향으로 돌려 주스 추출 유닛에서 분리합니다. (그림 23)
- 4 주스용 필터를 분리합니다 (그림 24).
- 5 주스 추출망을 분리합니다 (그림 25).
- 6 찌꺼기 배출구를 화살표(◀)가 '열림' 위치를 향할 때까지 시계 방향으로 돌려 주스 추출 유닛에서 분리합니다. (그림 26)

보관

- 1 본체의 하단에 코드를 감아 코드 보관함에 보관하십시오 (그림 27).
- 2 누름봉, 주스 용기와 뚜껑, 깔대기형 받침대는 과육 용기 안에 보관할 수 있습니다 (그림 28).

재활용

수명이 다 된 제품은 일반 가정용 쓰레기와 함께 버리지 마시고 지정된 재활용 수거 장소에 버리십시오. 이런 방법으로 환경 보호에 동참하실 수 있습니다.

액세서리 주문

액세서리나 교체 부품을 구입하려면 필립스 웹사이트(www.shop.philips.com/service) 또는 필립스 대리점을 방문하십시오. 해당 지역의 필립스 고객 상담실에 문의하셔도 됩니다.

보증 및 지원

보다 자세한 정보나 지원이 필요한 경우에는 필립스 웹 사이트 (www.philips.com/support)를 방문하시거나 제품 보증서를 참조하십시오.

문제 해결

이 란은 본 제품을 사용하면서 가장 일반적으로 경험하게 되는 문제와 그 해결 방법을 제시합니다. 아래의 정보로도 문제를 해결할 수 없는 경우 www.philips.com/support를 방문하여 자주 묻는 질문(FAQ) 목록을 참조하거나 필립스 고객 상담실로 문의하십시오.

문제점	해결책
제품이 작동하지 않습니다.	제품에는 2개의 안전 핀이 있습니다. 주스 추출 유닛이나 과육 용기가 본체에 제대로 장착되어 있지 않으면 제품이 작동하지 않습니다. 이러한 부품이 제 위치에 있는지 확인하십시오('사용 준비' 란 참조). 이 모든 작업을 수행하기 전에 제품의 전원을 반드시 꺼야 합니다.
제품을 처음 사용할 때 모터에서 이상한 냄새가 납니다.	정상적인 현상입니다. 몇 번 정도 사용한 후에도 제품에서 이상한 냄새가 나면 너무 많은 재료를 넣었거나 오래 작동하지 않았는지 확인하십시오.
주스 추출 유닛을 본체에 장착할 수 없습니다.	주스 추출구가 주스 추출 유닛에 제대로 장착되어 있는지 확인하십시오. 주스 추출 유닛의 돌출된 부분이 본체의 오목한 부분에 맞물려야 합니다(그림 9 참조).
주스 추출 유닛이 멈췄습니다.	사전 세척 버튼을 몇 초 동안 누르십시오. 주스 추출 유닛이 여전히 멈추어 있다면 제품의 전원을 끄고 주스 추출 유닛을 분리한 다음 모든 부품을 분리하십시오. 주스 추출 유닛을 막고 있는 과일을 제거하고 작은 조각으로 넣어 추출해 보십시오.
HR1899/HR1897/HR1896: 전원 표시등이 깜박입니다.	주스 추출 유닛이 막혔습니다. 사전 세척 버튼을 몇 초 동안 누르십시오. 주스 추출 유닛이 여전히 멈추어 있다면 제품의 전원을 끄고 주스 추출 유닛을 분리한 다음 모든 부품을 분리하십시오. 주스 추출 유닛을 막고 있는 과일을 제거하고 작은 조각으로 넣어 추출해 보십시오.

제조번호 부여기준 : 본 제품의 제조번호는 4자리,5자리,6자리,9자리로 표기될 수 있습니다. **(1) 4자리일 경우** : 앞의 두 자리는 연도를, 뒤의 두 자리는 생산된 주를 의미합니다. 예) 0632 → 2006년 32번째 주에 생산 **(2) 5자리일 경우** : 앞의 두 자리는 연도를, 다음 두 자리는 생산된 주를, 마지막 자리는 생산된 요일을 의미합니다. 예)06243 → 2006년 24번째 주의 수요일 생산 **(3) 6자리일 경우** : 앞의 두 자리는 연도를, 다음 두 자리는 월을, 마지막 두 자리는 일을 의미합니다. 예)061125 → 2006년 11월 25일 생산 **(4) 9자리일 경우** : 앞의 한 자리는 제조국을, 다음 두 자리는 연도를, 다음 두 자리는 생산된 주를, 다음 한 자리는 공장의 생산라인을, 마지막 3자리는 그 주에 생산된 제품의 일련번호를 의미합니다. 예)507402001 → 네덜란드에서 2007년 40번째 주에 2번 생산라인에서 첫 번째 생산 **(5) 기타제조번호에 대한 문의사항은** (02)709-1200 으로 연락바랍니다.

Pengenalan

Tahniah atas pembelian anda dan selamat datang ke Philips! Untuk mendapat manfaat sepenuhnya daripada sokongan yang ditawarkan oleh Philips, daftarkan produk anda di www.philips.com/welcome. Pemerah jus perlahan Philips Avance ini membantu anda untuk mendapatkan semua zat buah-buahan dan sayur-sayuran ke dalam gelas anda, supaya anda boleh menikmati jus yang lazat dan menyihatkan setiap hari. Teknologi inovatifnya membolehkan anda mengekstrak sehingga maksimum buah-buahan dan sayur-sayuran serta membersihkan perkakas dengan cepat dalam masa kurang dari 1 minit. Reka bentuk yang bersepadu sepenuhnya telah dibangunkan agar tidak memakan ruang yang besar dan memberikan anda hasil yang hebat.

Perihal umum (Gamb. 1)

- A Unit pemerahan jus
- 1 Penolak
 - 2 Dulang beri
 - 3 Tiub suapan
 - 4 Penghenti titisan
 - 5 Muncung
 - 6 Penapis dua bahagian berwarna hitam untuk jus jemih
 - 7 Skru pemerah jus
 - 8 Salur keluar pulpa
- B Unit motor
- 9 Pengapit pengunci
 - 10 Butang hidup/mati dengan lampu hidup kuasa
 - 11 Butang Undur/Prabersih
 - 12 Kod sesalur kuasa
 - 13 Kemudahan penyimpanan kord
 - 14 Bekas pulpa
 - 15 Pin keselamatan
- C Jag (HR1899/HR1897/HR1895 sahaja)
- 16 Jag jus
 - 17 Tudung jag jus
- Tidak ditunjukkan: penapis dua bahagian berwarna kelabu bagi jus serat (HR1899/HR1897/HR1896 sahaja)

Penting

Baca manual pengguna ini dengan teliti sebelum anda menggunakan perkakas dan simpan ia untuk rujukan masa depan.

Bahaya

- Jangan rendam unit motor di dalam air atau sebarang cecair lain. Jangan bilas ia di bawah paip dan jangan bersihkan di dalam mesin pencuci pinggan.

Amaran

- Periksa sama ada voltan yang ditunjukkan pada dasar perkakas sepadan dengan voltan sesalur tempatan sebelum anda menyambungkan perkakas.
- Jangan gunakan perkakas jika plag, kord sesalur kuasa atau bahagian lain rosak. Jika kord sesalur kuasa rosak, ia mesti digantikan oleh Philips, pusat servis yang dibenarkan Philips atau pihak yang berkelayakan serupa untuk mengelakkan bahaya.
- Perkakas ini bertujuan untuk kegunaan dalam rumah sahaja. Jika perkakas ini disalahgunakan atau untuk tujuan profesional atau semiprofesional atau jika ia digunakan tidak mengikut arahan yang terdapat dalam manual pengguna, jaminan menjadi tidak sah dan Philips tidak menerima tanggungjawab bagi apa-apa kerosakan yang berlaku.

22 BAHASA MELAYU

- Perkakas ini tidak dimaksudkan untuk digunakan oleh orang (termasuk kanak-kanak) yang kurang upaya dari segi fizikal, deria atau mental, atau kurang berpengalaman dan pengetahuan, kecuali mereka telah diberi pengawasan atau arahan berkenaan penggunaan perkakas ini oleh orang yang bertanggungjawab atas keselamatan mereka.
- Kanak-kanak hendaklah diawasi untuk memastikan bahawa mereka tidak bermain dengan perkakas ini.
- Jauhkan perkakas dan kordnya dari capaian kanak-kanak.
- Jangan sekali-kali mencapai ke dalam tiub suapan dengan jari anda atau dengan sesuatu objek semasa perkakas sedang beroperasi. Hanya gunakan penolaknya untuk tujuan ini.
- Sentiasa tanggalkan perkakas daripada bekalan kuasa jika perkakas dibiarkan tanpa pengawasan dan sebelum memasang, menanggalkan bahagian atau membersihkan perkakas.
- Buka lilitan kod sesalur kuasa sepenuhnya setiap kali sebelum anda menghidupkan perkakas.
- Jangan sekali-kali biarkan perkakas beroperasi tanpa diawasi.

Awas

- Jangan sekali-kali menggunakan sebarang aksesori atau bahagian daripada pengilang lain atau yang tidak disyorkan secara khusus oleh Philips. Jika anda menggunakan aksesori atau bahagian sedemikian, jaminan anda menjadi tidak sah.
- Sentiasa letakkan perkakas pada permukaan yang stabil, rata dan mendatar.
- Jangan gunakan perkakas di luar bangunan.
- Elakkan daripada tersentuh bahagian yang bergerak.
- Pastikan semua bahagian telah dipasang dengan betul sebelum anda menghidupkan perkakas.
- Hanya gunakan perkakas ini apabila pengapit pengunci dalam kedudukan terkunci.
- Hanya buka kunci pengapit pengunci selepas anda telah memadamkan perkakas dan skru pemerah jus telah berhenti berputar.
- Jangan keluarkan bekas pulpa apabila perkakas sedang berjalan.
- Potong bahan-bahan yang besar saiznya menjadi ketulan kecil yang dapat dimuatkan ke dalam tiub suapan. Keluarkan biji, teras dan kulit tebal daripada buah atau sayur sebelum memerah jusnya.
- Jangan tekan penolak terlalu kuat untuk mengelakkan kerosakan.
- Pewarna makanan boleh merubah warna bahagian-bahagian pemerah. Ini perkara biasa dan tidak menjejaskan prestasi perkakas.
- Untuk mengoptimumkan jangka hayat perkakas, jangan gunakannya secara berterusan lebih dari 30 minit.

Kunci keselamatan binaan dalam

Perkakas dilengkapi kunci keselamatan terbina dalam. Dua pin keselamatan pada unit motor memastikan bahawa anda hanya boleh menghidupkan perkakas jika anda telah meletakkan unit pemerah jus dan bekas pulpa pada unit motor dengan betul.

Medan elektromagnet (EMF)

Perkakas Philips mematuhi semua piawaian dan peraturan berkaitan dengan pendedahan kepada medan elektromagnet.

Sebelum penggunaan pertama

Bersihkan semua bahagian sebelum anda menggunakannya buat kali pertama (lihat bab 'Membersihkan').

Nota: Pastikan semua bahagian telah kering sepenuhnya sebelum anda mula menggunakan perkakas itu.

Bersedia untuk menggunakan

Memasang unit pemerah jus

Buka lilitan kod sesalur kuasa sepenuhnya setiap kali sebelum anda menghidupkan perkakas.

- 1 Pasang salur keluar pulpa pada unit pemerah jus dan putarkannya mengikut arah jam sehingga anak panah (◀) menghalau kepada penunjuk 'dikunci'. (Gamb. 2)
- 2 Sisipkan skru pemerah jus ke dalam unit pemerah jus (Gamb. 3).
- 3 Pasangkan kedua-dua bahagian penapis (Gamb. 4).
- 4 Letakkan penapis dua bahagian di atas skru pemerah jus (Gamb. 5).

Petua: Gunakan penapis dua bahagian berwarna hitam untuk jus jernih. Jika anda lebih suka jus yang keruh dengan lebih banyak serat di dalamnya, gunakan penapis dua bahagian berwarna kelabu.

- 5 Pasang muncung pada unit pemerah jus dan putarkannya mengikut arah jam sehingga anak panah (◀) menghalau kepada penunjuk 'berkunci'. (Gamb. 6)
- 6 Letakkan dulang beri pada tiub suapan (Gamb. 7).

Meletakkan unit pemerah jus ke dalam unit motor

- 1 Letakkan unit pemerah jus yang telah dipasang ke dalam unit motor, dengan memuatkan salur keluar pulpa ke dalam bukaan pada unit motor (Gamb. 8).
- 2 Sejajarkan unjuran pada unit pemerah jus dengan ceruk dalam unit motor. Luncurkan unit pemerah jus ke dalam unit motor sehingga ia terkunci pada tempatnya. (Gamb. 9)
- 3 Tekan unit pemerah jus ke dalam unit motor (1) dan kemudian tutup pengapit pengunci (2). (Gamb. 10)

Nota: Jika pengapit pengunci tidak boleh ditutup, periksa sama ada unit pemerah jus telah diletakkan dengan betul dengan unjuran pada unit pemerah jus berada dalam ceruk unit motor.

- 4 Luncurkan bekas pulpa ke dalam unit motor (Gamb. 11).

Menggunakan perkakas

Perkakas hanya boleh berfungsi jika unit pemerah jus dan salur keluar pulpa dipasang dengan betul dan pengapit pengunci telah dikunci dengan betul.

- 1 Basuh buah dan/atau sayur. Jika perlu, potong menjadi ketulan kecil yang dapat dimuatkan ke dalam tiub suapan.
- 2 Letakkan jag atau gelas di bawah muncung (Gamb. 12).
- 3 Tekan butang hidup/mati untuk menghidupkan perkakas (Gamb. 13).
- 4 Masukkan ketulan kecil buah atau sayur dalam tiub suapan dan tekan ia dengan lembut ke bawah ke arah skru pemerah jus menggunakan penolak (Gamb. 14).

Jangan sekali-kali memasukkan jari anda atau apa-apa objek ke dalam tiub suapan atau unit pemerah jus.

- 5 Apabila aliran jus telah berhenti, matikan perkakas dan tunggu sehingga skru pemerah jus telah berhenti berputar.
- 6 Tekan butang prabersih untuk mengeluarkan titisan jus yang terakhir dari unit pemerah jus (Gamb. 15).
- 7 Untuk mengelakkan jus daripada menitis ke atas meja, tekan penghenti titisan (Gamb. 16).

Petua

- Gunakan buah dan sayur yang segar kerana kandungan jusnya lebih banyak. Nanas, ubi bit, batang saderi, epal, timun, lobak merah, bayam, tembikai, tomato, delima dan anggur sangat sesuai untuk diproses di dalam pemerah jus.
- Anda tidak perlu mengupas kulit buah yang nipis. Hanya kupas kulit yang anda tidak akan makan, seperti kulit buah oren, nanas, kiwi, tembikai dan ubi bit yang belum dimasak.
- Jika anda hendak memerah jus buah yang mempunyai biji seperti pic, plum atau ceri, keluarkan bijinya sebelum memerah jusnya.
- Semasa memerah jus epal, ingat bahawa kepekatan jus epal bergantung pada jenis epal yang anda gunakan. Epal yang lebih berjus memberikan jus yang lebih cair. Pilih jenis epal yang menghasilkan jenis jus yang anda suka.
- Jus epal berubah warna menjadi perang dengan cepat. Anda boleh melambatkan proses ini dengan menambahkan beberapa titis jus lemon.
- Pemerah jus ini boleh mengendalikan buah-buahan berserat seperti pisang dan mangga. Anda boleh menambah susu atau air terus melalui tiub suapan.
- Buah-buahan sitrus juga boleh diproses dengan pemerah jus, buang kulit sebelah dalam buah sitrus yang putih kerana rasanya pahit.

Pembersihan (Gamb. 17)

- Perkakas lebih mudah dibersihkan sekiranya anda membersihkannya dengan segera selepas digunakan. Lihat jadual pembersihan untuk melihat cara membersihkan kesemua bahagian.

Jangan sekali-kali gunakan pad penyental, agen pembersih yang melelas atau cecair yang agresif seperti alkohol, petrol atau aseton untuk membersihkan perkakas.

Nota: Semua bahagian boleh tanggal adalah tahan mesin pencuci pinggan dan boleh dibersihkan dengan selamat di bawah paip.

- 1** Matikan perkakas dan cabut plag daripada soket dinding.
- 2** Buka pengapit pengunci (Gamb. 18).
- 3** Luncurkan keluar unit pemerah jus dari unit motor (Gamb. 19).
- 4** Keluarkan bekas pulpa dari unit motor (Gamb. 20).
- 5** Kosongkan bekas pulpa dan bilas ia di bawah paip.

Menanggalkan pemasangan dan membersihkan unit pemerah jus

- 1** Keluarkan penolak dari tiub suapan (Gamb. 21).
- 2** Keluarkan dulang beri dari tiub suapan (Gamb. 22).
- 3** Putarkan muncung melawan arah jam sehingga anak panah (◀) menghala kepada penunjuk 'buka' dan tanggalkannya dari unit pemerah jus. (Gamb. 23)
- 4** Keluarkan penapis dua bahagian dan tanggalkan pemasangannya (Gamb. 24).
- 5** Keluarkan skru pemerah jus (Gamb. 25).
- 6** Putarkan salur keluar pulpa melawan arah jam sehingga anak panah (◀) menghala kepada penunjuk 'buka' dan tanggalkannya dari unit pemerah jus. (Gamb. 26)

Penyimpanan

- 1 Lilitkan kod sesalur kuasa melingkari kemudahan penyimpanan kord di dalam tapak unit motor (Gamb. 27).
- 2 Anda boleh menyimpan penolak, jag jus dan tudung serta dulang beri di dalam bekas pulpa (Gamb. 28).

Kitar semula

Jangan buang perkakas dengan sampah rumah yang biasa pada akhir hayatnya, sebaliknya serahkannya ke pusat pungutan rasmi untuk dikitar semula. Dengan berbuat begini, anda membantu memelihara alam sekitar.

Memesan aksesori

Untuk membeli aksesori atau barang ganti, lawati www.shop.philips.com/service atau pergi ke wakil penjual Philips anda. Anda juga boleh menghubungi Pusat Layanan Pelanggan Philips di negara anda.

Jaminan dan sokongan

Jika anda perlukan maklumat atau sokongan, sila lawati www.philips.com/support atau baca risalah jaminan sedunia.

Penyelesai Masalah

Bab ini meringkaskan masalah paling lazim yang mungkin anda hadapi dengan perkakas ini. Jika anda tidak dapat menyelesaikan masalah dengan maklumat di bawah, lawati www.philips.com/support untuk mendapatkan senarai soalan lazim atau hubungi Pusat Layanan Pelanggan di negara anda.

Masalah	Penyelesaian
Perkakas tidak berfungsi.	Perkakas dilengkapi dua pin keselamatan. Jika salah satu daripada unit pemerah jus atau bekas pulpa tidak diletakkan pada unit motor dengan betul, perkakas tidak akan berfungsi. Periksa sama ada bahagian-bahagian ini telah dipasang dengan cara yang betul (lihat bab 'Menyediakan untuk penggunaan') tetapi matikan perkakas sebelum anda berbuat demikian.
Unit motor mengeluarkan bau yang tidak menyenangkan sewaktu perkakas digunakan pada beberapa kali yang pertama.	Ini bukan sesuatu yang luar biasa. Jika perkakas terus mengeluarkan bau busuk selepas digunakan beberapa kali, periksa jumlah yang sedang anda proses dan masa pemrosesannya.
Unit pemerah jus tidak dapat diletakkan di atas unit motor.	Periksa sama ada muncung dipasang pada unit pemerah jus dengan betul. Pastikan bahawa unjuran pada unit pemerah jus sejajar dengan ceruk di dalam unit motor (lihat rajah 9).

Masalah	Penyelesaian
Unit pemerah jus tersumbat.	Tekan butang prabersih selama beberapa saat. Jika unit pemerah jus masih tersumbat, matikan perkakas, keluarkan unit pemerah jus dan tanggalkan pemasangan semua bahagian. Buang buah yang menyumbat unit pemerah jus. Kemudian teruskan proses dalam kuantiti yang lebih kecil.
HR1899/HR1897/ HR1896: Lampu kuasa hidup berkelip.	Unit pemerah jus tersumbat. Tekan butang prabersih selama beberapa saat. Jika unit pemerah jus masih tersumbat, matikan perkakas, keluarkan unit pemerah jus dan tanggalkan pemasangan semua bahagian. Buang buah yang menyumbat unit pemerah jus. Kemudian teruskan proses dalam kuantiti yang lebih kecil.

ข้อมูลเบื้องต้น

ขอแสดงความยินดีที่คุณสั่งซื้อและยินดีต้อนรับผลิตภัณฑ์ของ Philips! เพื่อให้คุณได้รับประโยชน์อย่างเต็มที่จากบริการที่ Philips มอบให้ โปรดลงทะเบียนผลิตภัณฑ์ของคุณที่ www.philips.com/welcome

เครื่องสกัดน้ำผลไม้ความเร็วต่ำ Avance จาก Philips ให้คุณได้ดื่มน้ำผักและผลไม้ที่อุดมไปด้วยคุณประโยชน์อย่างครบถ้วน คุณจึงสามารถเพลิดเพลินกับเครื่องดื่มที่แสนอร่อยและมีประโยชน์ เทคโนโลยีของนวัตกรรมเครื่องสกัดน้ำผลไม้ จะช่วยคุณสกัดน้ำผักและผลไม้ได้ในปริมาณที่มากที่สุด และยังสามารถช่วยทำความสะอาดเครื่องสกัดได้อย่างรวดเร็วภายใน 1 นาที การออกแบบที่ผสมผสานกันอย่างสมบูรณ์แบบได้รับการพัฒนาขึ้นมาใหม่พื้นที่ใช้สอยเพียงน้อยนิดและให้ผลลัพธ์การใช้งานที่ยืดเยื้อ

ส่วนประกอบ (รูปที่ 1)

- A เครื่องสกัด
- 1 ที่ด้นผลไม้
 - 2 ถาดใส่ผลไม้
 - 3 ช่องใส่ผลไม้
 - 4 ระบบป้องกันน้ำหยด
 - 5 ปากพวย
 - 6 แผ่นกรองสองส่วนสีด้าสำหรับแยกกาก
 - 7 ลกรูสำหรับสกัด
 - 8 ช่องระบายกาก
- B แท่นมอเตอร์
- 9 ที่หนีบล็อค
 - 10 ปุ่มเปิด/ปิดพร้อมสัญญาณไฟ
 - 11 ปุ่มย้อนกลับ/ล้างล้างหน้า
 - 12 สายไฟหลัก
 - 13 ที่เก็บสายไฟ
 - 14 ที่บรรจุกาก
 - 15 เข็มกลัด
- C เข็ยอก (HR1899/HR1897/HR1896 เท่านั้น)
- 16 เข็ยอกสำหรับใส่น้ำผลไม้
 - 17 ผาปิดเข็ยอกสำหรับใส่น้ำผลไม้
- ไม่มีภาพแสดง: แผ่นกรองสองส่วนสีเทาสำหรับน้ำสกัดกาก (HR1899/HR1897/HR1896 เท่านั้น)

ข้อสำคัญ

ควรอ่านคู่มืออย่างละเอียดก่อนใช้งานและเก็บไว้เพื่อใช้อ้างอิงในครั้งต่อไป

อันตราย

- ห้ามจุ่มแท่นมอเตอร์ลงในน้ำหรือของเหลวใดๆ ห้ามล้างด้วยก๊อกน้ำ และห้ามทำความสะอาดด้วยเครื่องล้างจาน

คำเตือน

- ควรตรวจสอบระดับแรงดันไฟฟ้าที่แสดงไว้ด้านหลังของเครื่อง ซึ่งควรตรงกับแรงดันไฟฟ้าหลักในบ้านก่อนใช้งาน
- ห้ามใช้เครื่องเมื่อปลั๊ก สายไฟ หรือส่วนอื่นๆ ชำรุดเสียหาย หากสายไฟชำรุด คุณจะต้องนำไปเปลี่ยนที่ Philips ศูนย์บริการที่ได้รับอนุญาตจาก Philips หรือบุคคลที่ได้รับการอบรมจาก Philips เพื่อหลีกเลี่ยงอันตรายที่อาจเกิดขึ้น
- ใช้งานเครื่องภายในครัวเรือนเท่านั้น หากนำไปใช้ในทางการค้าหรือกิจการค้า หรือใช้โดยไม่ปฏิบัติตามคำแนะนำการใช้งานในคู่มือนี้ การรับประกันจะถือเป็นโมฆะ และฟิลิปส์จะไม่รับผิดชอบค่าเสียหายใดๆ ทั้งสิ้น
- ไม่ควรให้บุคคล (รวมทั้งเด็กเล็ก) ที่มีสภาพร่างกายไม่สมบูรณ์ ประสาทสัมผัสไม่สมบูรณ์หรือสภาพจิตใจไม่ปกติ หรือขาดประสบการณ์และความรู้ความเข้าใจ นำเครื่องนี้ไปใช้งาน เว้นแต่จะอยู่ในการควบคุมดูแลหรือได้รับคำแนะนำในการใช้งานโดยผู้รับผิดชอบในด้านความปลอดภัย
- เด็กเล็กควรได้รับการดูแลเพื่อป้องกันไม่ให้เด็กนำเครื่องนี้ไปเล่น
- เก็บเครื่องและสายไฟให้แห้งมีเยื่อติด
- ไม่ควรเหยียบน้ำมือหรือวัตถุใดๆ ลงในช่องใส่ผลไม้ขณะที่เครื่องกำลังทำงาน ควรใช้ที่ด้นที่ใหม่เท่านั้น
- ใ้ถอดปลั๊กเครื่องออกจากเต้ารับไฟเสมอ หากคุณต้องปล่อยเครื่องไว้โดยไม่มีคนดูแล หรือหากคุณจะประกอบ ถอดประกอบ หรือทำความสะอาดเครื่อง
- ให้คลายสายไฟออกให้หมดก่อนที่จะเปิดเครื่อง
- ห้ามปล่อยให้เครื่องทำงานโดยไม่มีการควบคุมดูแลเป็นอันขาด

ข้อควรระวัง

- ห้ามใช้อุปกรณ์เสริม หรือชิ้นส่วนที่ผลิตโดยผู้ผลิตรายอื่น หรือบริษัทที่ Philips ไม่ได้แนะนำ การรับประกันจะเป็นโมฆะทันที หากคุณใช้อุปกรณ์เสริมหรือชิ้นส่วนดังกล่าว
- วางเครื่องบนพื้นราบที่มั่นคงและมีพื้นผิวเสมอกัน
- ห้ามใช้เครื่องนี้ภายในอาคาร
- หลีกเลี่ยงการสัมผัสกับชิ้นส่วนที่เคลื่อนไหว
- ประกอบชิ้นส่วนทุกชิ้นเข้าที่ให้เรียบร้อยก่อนเปิดสวิตช์ใช้งาน
- ใช้เครื่องมือที่หนีบล็อคถูกล็อกเข้าที่ดีแล้วเท่านั้น
- ปลดล็อคที่หนีบล็อคหลังจากเปิดสวิตช์เครื่อง และสกรูลำสำหรับสกัดหยุดหมุนแล้วเท่านั้น
- ไม่ควรถอดโถแยกกากผลไม้ออกขณะเครื่องกำลังทำงาน
- ชิ้นส่วนผสมขนาดใหญ่ให้เป็นชิ้นขนาดพอเหมาะกับช่องใส่ผลไม้ เอาหิน แกน เมล็ด และเปลือกหวนออกจากผักหรือผลไม้ก่อนที่จะสกัดน้ำ
- ไม่ควรออกแรงกดที่ต้นผลไม้มากเกินไป เพื่อหลีกเลี่ยงความเสียหายที่อาจเกิดขึ้น
- สัมผัสอาหารอาจทำให้ชิ้นส่วนเปลี่ยนสี ซึ่งเป็นเรื่องปกติและไม่มีผลกระทบต่อประสิทธิภาพการทำงานของเครื่อง
- เพื่อยืดอายุการใช้งานของเครื่อง ห้ามนำไปใช้ต่อเนื่องนานกว่า 30 นาที

ระบบลอคนิรภัยขั้วตึดตั้งในเครื่อง

เครื่องนี้มีระบบลอคนิรภัยในตัว โดยเชื่อมกัลดสองอันบนแท่นมอเตอร์จะช่วยให้แน่ใจว่า คุณสามารถเปิดสวิตช์เครื่องได้เฉพาะเมื่อคุณวางเครื่องสกัดและที่บรรจุกากบนแท่นมอเตอร์อย่างถูกต้องแล้วเท่านั้น

Electromagnetic fields (EMF)

ผลิตภัณฑ์ของ Philips นี้เป็นไปตามมาตรฐานและกฎข้อบังคับด้านคลื่นแม่เหล็กไฟฟ้าที่มีทุกประการ

ก่อนใช้งานครั้งแรก

ทำความสะอาดทุกชิ้นส่วนก่อนใช้งานตัวเครื่องในครั้งแรก (ดูที่บท 'การทำความสะอาด')

หมายเหตุ: ควรเช็ดส่วนต่างๆ ให้แห้งก่อนเริ่มใช้งาน

การเตรียมตัวก่อนใช้งาน

การประกอบเครื่องสกัด

ให้คลายสายไฟออกให้หมดก่อนที่จะเปิดเครื่อง

- 1 ประกอบช่องระบายกากเข้ากับเครื่องสกัด และหมุนตามเข็มนาฬิกาจนกระทั่งล็อกครบ (↺) ขึ้นไปที่สัญลักษณ์ 'ลอค' (รูปที่ 2)
- 2 ใส่สกรูลำสำหรับสกัดเข้ากับเครื่องสกัด (รูปที่ 3)
- 3 ประกอบแผ่นกรองทั้งสองส่วน (รูปที่ 4)
- 4 วางแผ่นกรองสองส่วนบนสกรูลำสำหรับสกัด (รูปที่ 5)

เคล็ดลับ: ใช้แผ่นกรองสองส่วนสีคำสำหรับแยกกาก หากคุณต้องการน้ำผลไม้แบบขุ่นที่มีกากมากขึ้น ให้ใช้แผ่นกรองสองส่วนสีเทา

- 5 ประกอบปากขวดเข้ากับเครื่องสกัด และหมุนตามเข็มนาฬิกาจนกระทั่งล็อกครบ (↺) ขึ้นไปที่สัญลักษณ์ 'ลอค' (รูปที่ 6)
- 6 วางถาดใส่ผลไม้เหนือช่องใส่ผลไม้ (รูปที่ 7)

วางเครื่องสกัดบนแท่นมอเตอร์

- 1 วางเครื่องสกัดที่ประกอบแล้วบนแท่นมอเตอร์ โดยให้ช่องระบายกากตรงกับช่องบนแท่นมอเตอร์พอดี (รูปที่ 8)
- 2 จัดตำแหน่งให้ส่วนที่ยื่นออกมาของเครื่องสกัดตรงกับร่องบนแท่นมอเตอร์พอดี เลื่อนเครื่องสกัดไปบนแท่นมอเตอร์จนลอคเข้าที่ (รูปที่ 9)
- 3 กดเครื่องสกัดลงบนแท่นมอเตอร์ (1) แล้วปิดที่หนีบล็อค (2) (รูปที่ 10)

หมายเหตุ: หากยังไม่สามารถปิดที่หนีบล็อคได้ ให้ตรวจสอบว่าได้วางตำแหน่งของเครื่องอย่างถูกต้อง โดยให้ส่วนที่ยื่นออกมาของเครื่องสกัดตรงกับร่องบนแท่นมอเตอร์พอดี

- 4 เลื่อนที่บรรจุกากให้เข้ากับแท่นมอเตอร์ (รูปที่ 11)

การใช้งาน

เครื่องจะทำงานก็ต่อเมื่อเครื่องสັกดและช่องระบายอากาศถูกประกอบอย่างถูกต้อง และที่หนีบล็อคถูกล็อคอย่างเหมาะสม

- 1 ล้างผลไม้และ/หรือผักต่างๆ และหากจำเป็น ให้หั่นเป็นชิ้นที่มีขนาดพอเหมาะกับช่องใส่ผลไม้
- 2 วางเหยือกหรือแก้วได้ปากพวย (รูปที่ 12)
- 3 กดปุ่มเปิด/ปิด เพื่อเปิดเครื่อง (รูปที่ 13)
- 4 ใส่ผลไม้หรือผักลงในช่องใส่ จากนั้นใช้ที่ดันกดลงเบาๆ เข้าหาสกรูสำหรับสັกด (รูปที่ 14)

ไมควรรอหยั่งนิ้วมือหรือวัตถุใดๆ ลงไปในช่องใส่ผลไม้หรือเครื่องสັกด

- 5 เมื่อล๊กดน้ำผลไม้เสร็จเรียบร้อยแล้ว ให้ปิดสวิตช์เครื่องและรอนกว่าสกรูสำหรับล๊กดที่หยุดหมุน
- 6 กดปุ่มล้างล่วงหน้าเพื่อเอาน้ำผลไม้ออกจากเครื่องสັกดทั้งหมด (รูปที่ 15)
- 7 เพื่อป้องกันไม่ให้หน้าหยดลงบนโต๊ะ ให้กดระบบป้องกันน้ำหยด (รูปที่ 16)

ข้อแนะนำเพิ่มเติม

- ควรใช้ผักและผลไม้สดที่มีปริมาณน้ำมาก เช่น สับปะรด, บัรทูท, ก้านแซลเลอร์, แอปเปิ้ล, แตงกวา, แครอท, ผักขม, เมล่อน, มะเขือเทศ, ทัตทิม และองุ่น ผักและผลไม้เหล่านี้เหมาะสำหรับการใช้งานกับเครื่องสັกดน้ำผลไม้
- ไม่จำเป็นต้องลอกเปลือกหรือผิวที่บางอยู่แล้วออก ควรลอกเปลือกเฉพาะส่วนที่คุณไม่ต้องการเท่านั้น เช่น เปลือกส้ม สับปะรด กีวี เมล่อน และบัรทูทดิบ
- หากคุณต้องการสັกดน้ำผลไม้ที่มีหิน เช่น ลูกพีช พลัม หรือเชอร์รี่ ให้นำหินออกก่อนที่จะล๊กดน้ำ
- โปรดจำไว้ว่าน้ำแอปเปิ้ลที่ล๊กดจะเข้มข้นมากน้อยเพียงใด ขึ้นอยู่กับชนิดของผลแอปเปิ้ลนั้นๆ เช่น แอปเปิ้ลที่มีปริมาณน้ำมาก แอปเปิ้ลที่มีรสอ่อน คุณสามารถเลือกผลแอปเปิ้ลได้ตามต้องการ
- น้ำแอปเปิ้ลจะเปลี่ยนเป็นสีน้ำตาลอย่างรวดเร็ว ถ้าต้องการชะลอการเปลี่ยนสีนี้ ให้เติมน้ำมะนาวลงไป 2-3 หยด
- เครื่องสັกดน้ำผลไม้ไม่สามารถใช้กับผลไม้ที่ส่วนประกอบของแข็ง เช่น กล้วยและมะม่วง คุณสามารถเพิ่มหรือนำลงไปทางช่องใส่ผลไม้ได้โดยตรง
- นอกจากนี้ ยังสามารถใช้ได้กับผลไม้ประเภทส้ม โดยต้องเอาแกนสีขาวออกก่อนเนื่องจากมีรสขม

การทำความสะอาด (รูปที่ 17)

- เครื่องนี้ทำความสะอาดได้ง่ายหากคุณทำความสะอาดทันทีหลังการใช้งาน โปรดดูที่ตารางการทำความสะอาด เพื่อศึกษาวิธีการทำความสะอาดชิ้นส่วนต่างๆ

ห้ามใช้แผ่นใย อุปกรณ์ที่มีตะกั่วคม หรือของเหลวที่มีฤทธิ์รุนแรง เช่น แอลกอฮอล์ น้ำมัน หรืออะซิโตน ทำความสะอาดเครื่องเป็นอันขาด

หมายเหตุ: ชิ้นส่วนสามารถถอดออกและทำความสะอาดกับเครื่องล้างจานได้ นอกจากนี้ ยังสามารถทำความสะอาดกับก๊องน้ำได้ โดยไม่ก่อให้เกิดความเสียหาย

- 1 ปิดเครื่อง แล้วถอดปลั๊กไฟออกจากเต้ารับบนผนัง
- 2 เปิดที่หนีบล็อค (รูปที่ 18)
- 3 เลื่อนเครื่องสັกดออกจากแท่นมอเตอร์ (รูปที่ 19)
- 4 ถอดที่บรรจุกากออกจากแท่นมอเตอร์ (รูปที่ 20)
- 5 เทกากออกจากภาชนะบรรจุ แล้วล้างทำความสะอาดด้วยก๊องน้ำ

การถอดและทำความสะอาดเครื่องสັกด

- 1 ถอดที่ดันผลไม้ออกจากช่องใส่ผลไม้ (รูปที่ 21)
- 2 ถอดถาดใส่ผลไม้ออกจากช่องใส่ผลไม้ (รูปที่ 22)
- 3 หมุนปากพวยในทิศวนเข็มนาฬิกาจนกว่าลูกกร (◀) จะชี้ไปที่สัญลักษณ์ 'เปิด' แล้วถอดออกจากเครื่องสັกด (รูปที่ 23)
- 4 ถอดแผ่นกรองสองส่วนออกและแยกส่วน (รูปที่ 24)
- 5 ถอดสกรูสำหรับล๊กด (รูปที่ 25)
- 6 หมุนช่องระบายกากทวนเข็มนาฬิกาจนกว่าลูกกร (◀) จะชี้ไปที่สัญลักษณ์ 'เปิด' แล้วถอดออกจากเครื่องสັกด (รูปที่ 26)

30 ภาษาไทย

การจัดเก็บ

- 1 พันสายไฟหลักกรอบที่เก็บสายไฟที่อยู่บริเวณฐานของแท่นมอเตอร์ (รูปที่ 27)
- 2 คุณสามารถจัดเก็บที่ต้นผลไม้ เทือกสำหรับใส่ผลไม้ ผ่าปัด และถาดใส่ผลไม้ในที่บรรจุจากได้ (รูปที่ 28)

การรีไซเคิล

ห้ามทิ้งเครื่องรวมกับขยะในครัวเรือนทั่วไป เมื่อเครื่องหมดอายุการใช้งานแล้ว ควรทิ้งลงในถังขยะสำหรับนำกลับไปใช้ใหม่ได้ (รีไซเคิล) เพื่อช่วยรักษาสิ่งแวดล้อมที่ดี

การสั่งซื้ออุปกรณ์เสริม

หากต้องการซื้ออุปกรณ์เสริมหรืออะไหล่ โปรดเยี่ยมชม www.shop.philips.com/service หรือไปที่ตัวแทนจำหน่าย Philips คุณสามารถติดต่อศูนย์บริการลูกค้า Philips ในประเทศของคุณ

การรับประกันและสนับสนุน

หากคุณต้องการข้อมูลเพิ่มเติมหรือการสนับสนุน โปรดเข้าชมเว็บไซต์ www.philips.com/support หรืออ่านข้อมูลจากเอกสารแผ่นพับที่แยกเฉพาะ เกี่ยวกับการรับประกันทั่วโลก

การแก้ปัญหา

บทนี้ได้รวบรวมปัญหาทั่วไปเกี่ยวกับเครื่องซึ่งคุณอาจพบได้ หากยังไม่สามารถแก้ไขปัญหาคตามข้อมูลด้านล่าง โปรดดูรายการคำถามที่พบบ่อยที่ www.philips.com/support หรือติดต่อศูนย์บริการลูกค้าในประเทศของคุณ

ปัญหา	การแก้ปัญหา
เครื่องไม่ทำงาน	เครื่องนี้มีเข็มกลัดจำนวนสองอัน ถ้าจัดวางตำแหน่งของเครื่องสก๊อตหรือที่บรรจุจากไม่ถูกต้อง เครื่องจะไม่ทำงาน โปรดตรวจสอบว่าชิ้นส่วนเหล่านี้ถูกประกอบอย่างถูกต้อง (ดูที่บท 'การเตรียมตัวก่อนใช้งาน') แต่คุณต้องปิดสวิตช์เครื่องก่อน
มีกลิ่นไม่พึงประสงค์ออกมาจากแท่นมอเตอร์ เมื่อเริ่มใช้งานครั้งแรก	นี่คืออาการที่ผิดปกติ หากยังมีกลิ่นไม่พึงประสงค์ออกมาจากเครื่องอีกหลังจากใช้งานสองสามครั้ง ให้ตรวจสอบปริมาณที่คุณใช้สัปดาห์และระยะเวลาที่ใช้
ไม่สามารถวางเครื่องสับบนแท่นมอเตอร์ได้	ตรวจสอบว่าได้ประกอบปากพวยเข้ากับเครื่องสก๊อตอย่างถูกต้อง ต้องดูให้แน่ใจว่าส่วนที่ยื่นออกมาของเครื่องสก๊อตตรงกับร่องบนแท่นมอเตอร์ (ดูรูปที่ 9)
เครื่องสก๊อตอุดตัน	กดปุ่มล้างล่วงหน้าไว้สองถึงสามวินาที ถ้าเครื่องสก๊อตยังอุดตัน ให้ปิดสวิตช์เครื่อง แล้วถอดเครื่องสก๊อตออกมาและทำการแยกชิ้นส่วน เอาจลไม่ที่อุดตันเครื่องสก๊อตออก แล้วสัปดาห์โดยใช้ปริมาณผลไม้ที่น้อยลง
HR1899/HR1897/HR1896: ไฟแสดงการทำงานจะกะพริบ	เครื่องสก๊อตอุดตัน กดปุ่มล้างล่วงหน้าไว้สองถึงสามวินาที ถ้าเครื่องสก๊อตยังอุดตัน ให้ปิดสวิตช์เครื่อง แล้วถอดเครื่องสก๊อตออกมาและทำการแยกชิ้นส่วน เอาจลไม่ที่อุดตันเครื่องสก๊อตออก แล้วสัปดาห์โดยใช้ปริมาณผลไม้ที่น้อยลง

Giới thiệu

Chúc mừng bạn đã mua được sản phẩm Philips mới và chào mừng bạn đến với Philips! Để có được lợi ích đầy đủ từ sự hỗ trợ do Philips cung cấp, hãy đăng ký sản phẩm tại www.philips.com/welcome. Máy ép trái cây chậm Philips Avance này giúp bạn ép tất cả các dưỡng chất từ trái cây và rau quả vào ly, để bạn có thể tận hưởng ly nước ép giàu dinh dưỡng và ngon miệng mỗi ngày. Công nghệ tiên tiến của máy cho phép bạn ép được nhiều dinh dưỡng chất từ rau quả và rửa sạch thiết bị chỉ trong vòng 1 phút. Thiết kế tích hợp hoàn toàn đã được phát triển để chiếm ít không gian hơn và mang lại hiệu quả tuyệt vời hơn.

Mô tả chung (Hình 1)

- A Bộ phận ép
- 1 Ống ép nguyên liệu
 - 2 Khay quả mọng
 - 3 Ống tiếp nguyên liệu
 - 4 Nắp ngăn rỉ nước
 - 5 Vòi
 - 6 Bộ lọc hai phụ kiện màu đen cho nước ép trong
 - 7 Dao ép
 - 8 Cửa thoát bã và xơ
- B Bộ phận động cơ
- 9 Móc khóa
 - 10 Nút on/off (bật/tắt) có đèn báo nguồn
 - 11 Nút Đảo chiều/Làm sạch trước
 - 12 Dây điện
 - 13 Vị trí quân dây điện nguồn
 - 14 Ngăn chứa bã ép
 - 15 Chốt an toàn
- C Ly (chỉ có ở kiểu HR1899/HR1897/HR1895)
- 16 Ly đựng nước ép
 - 17 Nắp ly đựng nước ép

Không được hiển thị: bộ lọc hai phụ kiện màu xám để lọc nước ép có xơ (chỉ có ở kiểu HR1899/HR1897/HR1896)

Quan trọng

Hãy đọc kỹ hướng dẫn sử dụng này trước khi sử dụng thiết bị và cất giữ để tiện tham khảo sau này.

Nguy hiểm

- Không nhúng động cơ vào nước hay bất kỳ chất lỏng nào khác. Không rửa động cơ dưới vòi nước và không làm sạch nó bằng máy rửa chén.

Cảnh báo

- Kiểm tra xem điện áp ghi trên máy có tương ứng với điện áp nguồn nơi sử dụng trước khi bạn nối máy vào nguồn điện.
- Không sử dụng thiết bị nếu phích cắm, dây điện hoặc các bộ phận khác bị hỏng. Nếu dây điện bị hỏng, bạn phải thay dây điện tại Philips, trung tâm dịch vụ do Philips ủy quyền hoặc bởi những người có khả năng tương đương để tránh gặp nguy hiểm.
- Thiết bị này được thiết kế chỉ để dùng trong gia đình. Nếu sử dụng thiết bị này không đúng cách hay dùng cho những mục đích chuyên nghiệp hay bán chuyên nghiệp hoặc nếu sử dụng thiết bị này không theo hướng dẫn, chế độ bảo hành sẽ bị mất hiệu lực và Philips sẽ không chịu trách nhiệm đối với bất cứ hư hỏng nào gây ra.

- Thiết bị này không dành cho người dùng (bao gồm cả trẻ em) bị suy giảm năng lực về thể chất, giác quan hoặc tâm thần, hay người thiếu kinh nghiệm và kiên thức, trừ khi họ được giám sát hoặc hướng dẫn sử dụng thiết bị bởi người có trách nhiệm đảm bảo an toàn cho họ.
- Trẻ em phải được giám sát để đảm bảo rằng chúng không chơi đùa với thiết bị này.
- Để thiết bị và dây điện ngoài tầm với của trẻ em.
- Không chạm tay vào ống tiếp nguyên liệu trong khi máy đang hoạt động. Chỉ sử dụng ống ép nguyên liệu để làm điều này.
- Luôn ngắt thiết bị ra khỏi nguồn điện nếu bạn rời khỏi thiết bị mà không được giám sát hoặc trước khi lắp ráp, tháo dỡ và làm vệ sinh thiết bị.
- Luôn kéo hết dây điện ra trước khi bật thiết bị.
- Không để máy hoạt động khi không có sự theo dõi.

Chú ý

- Không sử dụng bất kỳ phụ kiện hoặc bộ phận nào mà Philips không đặc biệt khuyên dùng. Nếu bạn sử dụng các phụ kiện hoặc bộ phận không phải của Philips, việc bảo hành sẽ bị mất hiệu lực.
- Luôn đặt máy lên trên bề mặt chắc chắn, phẳng theo phương nằm ngang.
- Không sử dụng thiết bị ngoài trời.
- Tránh tiếp xúc với các bộ phận đang chuyển động.
- Phải bảo đảm tất cả các bộ phận được lắp đặt đúng cách trước khi bật máy.
- Chỉ sử dụng thiết bị khi móc khóa đang ở vị trí khóa.
- Chỉ mở móc khóa sau khi đã tắt thiết bị và dao ép đã ngừng xoay.
- Không tháo ngăn đựng vỏ và xơ trái cây ra trong khi thiết bị còn đang hoạt động.
- Cắt nguyên liệu lớn thành từng miếng nhỏ để cho vừa vào ống tiếp nguyên liệu. Lây hết hạt, lõi và gọt bỏ vỏ dày ra khỏi trái cây hoặc rau quả trước khi ép.
- Không ấn quá mạnh lên ống ép nguyên liệu để tránh gây hư hỏng.
- Màu của thức ăn có thể làm phai màu các bộ phận. Đây là hiện tượng bình thường và không ảnh hưởng đến hoạt động của thiết bị.
- Để tối ưu hóa tuổi thọ của thiết bị, không sử dụng thiết bị liên tục quá 30 phút.

Thiết bị khoá an toàn bên trong máy

Thiết bị này được trang bị khóa an toàn bên trong máy. Hai chốt an toàn trên bộ phận động cơ đảm bảo bạn chỉ có thể bật thiết bị nếu bạn đã đặt bộ phận ép và ngăn chứa bã ép trên bộ phận động cơ đúng cách.

Điện từ trường (EMF)

Thiết bị Philips này tuân thủ tất cả các tiêu chuẩn và quy định hiện hành liên quan đến mức phơi nhiễm điện từ trường.

Trước khi sử dụng lần đầu

Làm sạch kỹ tất cả các bộ phận trước khi bạn sử dụng thiết bị lần đầu tiên (xem chương 'Vệ sinh').

Lưu ý: Đảm bảo tắt cả các bộ phận khô hoàn toàn trước khi bắt đầu sử dụng.

Chuẩn bị sử dụng máy

Lắp ráp bộ phận ép

Luôn kéo hết dây điện ra trước khi bật thiết bị.

- 1 Lắp cửa thoát bã và xơ vào bộ phận ép và xoay cửa theo chiều kim đồng hồ cho tới khi mũi tên (↶) trở đến vị trí 'locked' (khóa). (Hình 2)
- 2 Gắn dao ép vào bộ phận ép (Hình 3).
- 3 Lắp hai phụ kiện của bộ lọc (Hình 4).

4 Đặt bộ lọc hai phụ kiện lên trên dao ép (Hình 5).

Mẹo: Dùng bộ lọc hai phụ kiện màu đen cho nước ép trong. Nếu bạn thích nước ép đục còn nhiều xơ bên trong, hãy sử dụng bộ lọc hai phụ kiện màu xám.

5 Lắp vòi vào bộ phận ép và xoay vòi theo chiều kim đồng hồ cho tới khi mũi tên (◀) trở đến vị trí 'locked' (khóa). (Hình 6)

6 Đặt khay quả mọng lên ống tiếp nguyên liệu (Hình 7).

Đặt bộ phận ép lên trên bộ phận động cơ

1 Đặt bộ phận ép đã lắp lên trên bộ phận động cơ, với cửa thoát bã và xơ vừa khớp trong cửa mở trên bộ phận động cơ (Hình 8).

2 Căn chỉnh các phần nhô ra trên bộ phận ép thẳng với các rãnh trong bộ phận động cơ. Trượt bộ phận ép lên trên bộ phận động cơ cho tới khi nó khớp vào đúng vị trí. (Hình 9)

3 Ấn bộ phận ép vào bộ phận động cơ (1) và đóng móc chốt (2). (Hình 10)

Lưu ý: Nếu không thể đóng móc chốt được, hãy kiểm tra xem bộ phận ép có được đặt đúng cách không, với các phần nhô ra trên bộ phận ép nằm trong các rãnh của bộ phận động cơ.

4 Trượt ngăn chứa bã ép vào trong bộ phận động cơ (Hình 11).

Sử dụng thiết bị

Thiết bị chỉ hoạt động khi bộ phận ép và cửa thoát bã và xơ được lắp đúng cách và móc chốt được khóa chính xác.

1 Rửa sạch trái cây và/hoặc rau quả. Nếu cần, cắt chúng thành những miếng vừa với ống tiếp nguyên liệu.

2 Đặt ly đựng nước ép hoặc ly thủy tinh dưới vòi (Hình 12).

3 Bấm nút on/off (bật/tắt) để bật máy (Hình 13).

4 Cho từng miếng trái cây hoặc rau vào ống tiếp nguyên liệu và nhẹ nhàng ấn chúng xuống dao ép bằng ống ép nguyên liệu (Hình 14).

Không cho ngón tay hay một vật gì vào trong ống tiếp nguyên liệu hoặc bộ phận ép.

5 Khi dòng nước ép ngưng chảy ra, hãy tắt thiết bị và chờ cho đến khi dao ép ngưng xoay hẳn.

6 Bấm nút làm sạch trước để làm sạch hết những giọt nước ép cuối cùng ra khỏi bộ phận ép (Hình 15).

7 Để ngăn không cho nước ép nhỏ giọt lên mặt bàn, hãy ấn nắp ngăn rỉ nước (Hình 16).

Mẹo

- Sử dụng trái cây và rau quả tươi vì chúng có nhiều nước hơn. Dứa, củ cải đường, cần tây, táo, dưa chuột, cà rốt, rau bina, dưa, cà chua, lựu và nho đặc biệt thích hợp để chế biến bằng máy ép trái cây này.
- Bạn không cần gọt trái cây có vỏ mỏng. Chỉ cần gọt phần vỏ dày không ăn được như vỏ cam, dứa, kiwi, dưa và củ cải đường tươi.
- Nếu bạn muốn ép trái cây có hạt chẳng hạn như quả đào, mận hoặc anh đào, hãy lấy hết hạt ra trước khi ép.
- Khi ép nước táo, hãy nhớ rằng độ đậm đặc của nước táo tùy thuộc vào loại táo được sử dụng. Táo có chứa nhiều nước hơn thì nước ép ra cũng loãng hơn. Nên chọn loại táo cho loại nước ép mà bạn thích.
- Nước táo sẽ bị sậm màu rất nhanh. Bạn có thể làm chậm tiến trình này bằng cách cho thêm vài giọt chanh.

34 TIẾNG VIỆT

- Máy ép trái cây này có thể xử lý các loại trái cây chứa tinh bột như chuối và xoài. Bạn có thể cho thêm sữa hoặc nước trực tiếp qua ống tiếp nguyên liệu.
- Cam hay quýt cũng có thể chế biến được bằng máy ép này, hãy bỏ phần lõi trắng của chúng vì nó có vị đắng.

Vệ sinh (Hình 17)

- Thiết bị dễ làm sạch hơn nếu bạn rửa ngay sau khi sử dụng. Hãy xem bảng làm sạch để biết cách vệ sinh tất cả các bộ phận.

Không sử dụng miếng tẩy rửa, chất tẩy rửa có tính ăn mòn hoặc những chất lỏng mạnh như là cồn, xăng hoặc axeton để lau chùi thiết bị.

Lưu ý: Tất cả các bộ phận tháo rời đều có thể rửa an toàn với máy rửa chén và dưới vòi nước.

- 1 Tắt thiết bị và rút phích cắm ra khỏi ổ điện.
- 2 Mở móc khóa (Hình 18).
- 3 Trượt bộ phận ép ra khỏi bộ phận động cơ (Hình 19).
- 4 Tháo ngăn chứa bã ép ra khỏi bộ phận động cơ (Hình 20).
- 5 Đổ hết bã trong ngăn chứa bã ép và rửa dưới vòi nước.

Tháo rời và làm sạch bộ phận ép

- 1 Tháo ống ép nguyên liệu ra khỏi ống tiếp nguyên liệu (Hình 21).
- 2 Tháo khay quả mọng ra khỏi ống tiếp nguyên liệu (Hình 22).
- 3 Xoay vòi ngược chiều kim đồng hồ cho tới khi mũi tên (◀) trở đến chỉ báo 'open' (mở) và tháo nó ra khỏi bộ phận ép. (Hình 23)
- 4 Tháo bộ lọc hai phụ kiện và tách rời hai phụ kiện ra (Hình 24).
- 5 Tháo dao ép (Hình 25).
- 6 Xoay cửa thoát bã và xoay ngược chiều kim đồng hồ cho tới khi mũi tên (◀) trở đến chỉ báo 'open' (mở) và tháo nó ra khỏi bộ phận ép. (Hình 26)

Bảo quản

- 1 Quấn dây điện quanh vị trí quấn dây điện nguồn trong chân đế của bộ phận động cơ (Hình 27).
- 2 Bạn có thể bảo quản ống ép nguyên liệu, ly đựng nước ép và nắp cũng như khay quả mọng trong ngăn chứa bã ép (Hình 28).

Tái chế

Không vứt thiết bị cùng với chất thải gia đình thông thường khi chấm dứt sử dụng thiết bị. Hãy đem thiết bị đến điểm thu gom chính thức để tái chế. Làm như vậy, bạn sẽ giúp bảo vệ môi trường.

Đặt mua phụ kiện

Để mua phụ kiện hoặc phụ tùng, hãy truy cập www.shop.philips.com/service hoặc liên hệ đại lý Philips tại địa phương bạn. Bạn cũng có thể liên hệ Trung tâm Chăm sóc Khách hàng của Philips tại quốc gia bạn.

Bảo hành và hỗ trợ

Nếu bạn cần hỗ trợ hay để biết thông tin, vui lòng truy cập www.philips.com/support hoặc đọc tờ bảo hành toàn cầu riêng lẻ.

Cách khắc phục sự cố

Chương này tóm tắt các sự cố thường gặp nhất với thiết bị. Nếu bạn không thể giải quyết được sự cố sau khi tham khảo thông tin dưới đây, vui lòng truy cập www.philips.com/support để xem danh sách các câu hỏi thường gặp hoặc liên hệ với Trung tâm Chăm sóc Khách hàng tại quốc gia bạn.

Sự cố	Giải pháp
Thiết bị không hoạt động.	Thiết bị được trang bị hai chốt an toàn. Nếu bộ phận ép hoặc ngăn chứa bã ép không được đặt đúng cách trên bộ phận động cơ, thiết bị sẽ không hoạt động. Kiểm tra xem các bộ phận này đã được lắp ráp đúng hay chưa (xem chương 'Chuẩn bị sử dụng máy'), nhưng hãy tắt máy trước khi bạn thực hiện việc kiểm tra.
Bộ phận động cơ có mùi khét trong một vài lần sử dụng đầu tiên.	Hiện tượng này không phải là bất thường. Nếu thiết bị tiếp tục tạo ra mùi này sau vài lần, kiểm tra số lượng bạn chế biến và thời gian chế biến.
Không thể đặt bộ phận ép trên bộ phận động cơ.	Kiểm tra xem vòi có được gắn vào bộ phận ép đúng cách không. Đảm bảo là các phần nhô ra trên bộ phận ép được căn chỉnh thẳng với các rãnh trong bộ phận động cơ (xem hình 9).
Bộ phận ép bị kẹt.	Bấm nút làm sạch trước trong vài giây. Nếu bộ phận ép vẫn bị kẹt, hãy tắt máy, tháo bộ phận ép ra và tháo rời tất cả các bộ phận. Lấy hết phần trái cây làm kẹt bộ phận ép ra. Sau đó chế biến một lượng nhỏ hơn.
HR1899/HR1897/HR1896: Đèn bật nguồn nhấp nháy.	Bộ phận ép bị kẹt. Bấm nút làm sạch trước trong vài giây. Nếu bộ phận ép vẫn bị kẹt, hãy tắt máy, tháo bộ phận ép ra và tháo rời tất cả các bộ phận. Lấy hết phần trái cây làm kẹt bộ phận ép ra. Sau đó chế biến một lượng nhỏ hơn.

簡介

恭喜您購買本產品並歡迎加入飛利浦！請於 www.philips.com/welcome 註冊您的產品，以善用飛利浦提供的支援。飛利浦 Avance 慢速果菜機可讓您輕鬆榨取所有蔬果精華，讓您每天都有健康美味的果汁可以飲用。本產品的創新技術能夠充分萃取蔬果汁，並可快速完成清潔，不到 1 分鐘就能搞定。精心研發的完全整合式設計，不僅佔用空間小，效能更是一流。

一般說明 (圖 1)

- A 榨汁裝置
 - 1 進料棒
 - 2 莓果盤
 - 3 進料管
 - 4 防漏設計
 - 5 壺嘴
 - 6 黑色兩件式鮮純果汁濾網
 - 7 榨汁螺芯
 - 8 果渣出水口
- B 馬達座
 - 9 鎖定扣夾
 - 10 開關按鈕附電源指示燈
 - 11 反轉/預先清潔按鈕
 - 12 電源線
 - 13 電源線收納裝置
 - 14 果渣槽
 - 15 安全鎖
- C 果汁壺 (僅限 HR1899/HR1897/HR1895)
 - 16 果汁壺
 - 17 果汁壺蓋

圖中未顯示：灰色兩件式高纖果汁濾網 (僅限 HR1899/HR1897/HR1896)

重要事項

在使用本產品前，請先仔細閱讀本使用手冊，並保留使用手冊以供日後參考。

危險

- 請勿將馬達座浸入水中或其他液體中，也不要在水龍頭下沖洗或放入洗碗機清洗。

警示

- 插電之前請先確認本產品所標示的電壓，是否與本地所使用的電壓相符。
- 插頭、電源線或其他零件受損時，請勿使用本產品。如果電源線損壞，必須交由飛利浦、飛利浦授權之服務中心，或是具備相同資格的人員進行更換，以免發生危險。
- 本產品僅供家用。如果不當使用本產品、作為 (半) 專業用途，或未依照使用手冊操作，保固將無效，且飛利浦將不擔負任何損壞賠償責任。
- 本產品不適合供下列人士 (包括孩童) 使用：身體官能或心智能力退化者，或是經驗與使用知識缺乏者。他們需要有負責其安全的人員在旁監督，或指示產品的使用方法，方可使用。
- 請勿讓孩童使用本產品或將本產品當成玩具。
- 請勿讓孩童接觸產品與電線。
- 當本產品在運轉時，請勿將手指或其他物品伸入進料管。此時僅可使用進料棒。
- 在無人看顧的情況下，或在組裝、拆解與清洗前，請務必拔除產品電源。
- 請務必完全拉出電源線後再開啟產品電源。
- 不可在無人看顧的情況下任由產品運作。

警告

- 請勿使用其他製造商的任何配件或零件，或非飛利浦建議之配件或零件。如果您使用此類配件或零件，保固即會失效。
- 請將本產品放置在平穩的水平面上。
- 請勿在戶外使用本產品。
- 請避免碰觸運轉中的零件。
- 請在開啟產品電源前，先確認所有零件皆已正確組裝。
- 請僅於鎖定扣夾位於鎖定位置時再使用本產品。
- 請在產品電源關閉且榨汁螺芯停止旋轉之後，再鬆開鎖定扣夾。
- 產品運轉時，請勿取下果渣槽。
- 將大塊食材切成小塊，以方便放入進料管。榨汁前，請先為蔬果去除果核、果心、果仁、渣籽及厚皮。
- 用進料棒推送時不要過度用力，以免受損。
- 食物色素可能會讓零件變色。這是正常現象，並不影響產品的效能。
- 為有效延長產品的使用壽命，請勿連續使用本產品超過 30 分鐘。

內建安全鎖

本產品內建安全鎖。馬達座上的兩個安全鎖可確保只有在榨汁裝置與果渣槽已正確放置在馬達座上時，您才能開啟產品電源。

電磁波 (EMF)

本飛利浦產品符合所有電磁波暴露的相關適用標準和法規。

第一次使用前

第一次使用本產品時，請先徹底清潔所有零件 (請參閱「清潔」單元)。

注意：請先確認所有零件均已完全乾燥，然後再開始使用本產品。

使用前準備**組裝榨汁裝置**

請務必完全拉出電源線後再開啟產品電源。

- 1** 將果渣出水口接上榨汁裝置，並以順時針方向轉動，直到箭頭 (◀) 指向「已鎖定」標示。(圖 2)
- 2** 將榨汁螺芯插入榨汁裝置。(圖 3)
- 3** 組裝兩個濾網零件。(圖 4)
- 4** 將兩件式濾網放到榨汁螺芯上方。(圖 5)

提示：請使用黑色兩件式鮮純果汁濾網。如果想要喝到更富纖維的濃稠果汁，請使用灰色兩件式濾網。

- 5** 將壺嘴接上榨汁裝置，並以順時針方向轉動，直到箭頭 (◀) 指向「已鎖定」標示。(圖 6)
- 6** 將莓果盤放到進料管。(圖 7)

將榨汁裝置裝到馬達座

- 1 請以果渣出水口對準馬達座上的開孔，將組裝完成的榨汁裝置裝到馬達座。(圖 8)
 - 2 將榨汁裝置的凸出部分對準馬達座上的凹槽，將榨汁裝置推入馬達座，直到卡入定位。(圖 9)
 - 3 壓下榨汁裝置以裝上馬達座 (1)，然後關上鎖定扣夾 (2)。(圖 10)
- 注意：如果鎖定扣夾無法關上，請檢查榨汁裝置的凸出部分是否對準馬達座上的凹槽，確認榨汁裝置已正確安裝。
- 4 將果渣槽推入馬達座。(圖 11)

使用本產品

唯有在榨汁裝置和果渣出水口均已正確組裝，且鎖定扣夾已正確鎖定的情況下，本產品才會開始運作。

- 1 請清洗水果和/或蔬菜，並視需要切成可裝入進料管的大小。
- 2 將果汁壺或玻璃杯置於壺嘴底下。(圖 12)
- 3 按下開關按鈕，開啟產品電源。(圖 13)
- 4 將切好的水果或蔬菜放入進料管，然後使用進料棒輕輕地將蔬果向下推入榨汁螺芯。(圖 14)

請勿將手指或其他物品放入進料管或榨汁裝置。

- 5 果汁流完後，請關閉產品電源，並等待榨汁螺芯停止旋轉。
- 6 按下預先清潔按鈕，清除榨汁裝置中所殘留的果汁。(圖 15)
- 7 為避免果汁滴到桌面，請按下防漏設計。(圖 16)

提示

- 請使用新鮮的蔬果，因為新鮮蔬果含有較多的汁液。鳳梨、甜菜根、芹菜莖、蘋果、黃瓜、紅蘿蔔、菠菜、瓜類、蕃茄、石榴和葡萄都特別適合以果菜機來處理。
- 您不需要先去皮。只需去除無法食用的果皮，例如柳橙、鳳梨、奇異果、瓜類，以及沒煮過的甜菜根。
- 如果要為帶有果核的水果榨汁，例如蜜桃、梅子或櫻桃，榨汁前請先去核。
- 在榨取蘋果汁時，請記得，蘋果汁的濃度取決於您使用的蘋果。蘋果的汁液越豐富，果汁就越稀。請按照個人的果汁濃度喜好來選擇蘋果種類。
- 蘋果汁會很快的氧化成棕色。您可以在蘋果汁中加入幾滴檸檬汁，以便延緩它的氧化速度。
- 這台果菜機能夠處理富含澱粉的水果，例如香蕉與芒果。您可以透過進料管直接加入牛奶或水。
- 柑橘類水果也可以使用這台果菜機來處理。請拿掉柑橘類水果的白色果皮纖維，因為纖維帶有苦味。

清潔 (圖 17)

- 使用後立即清潔，比較容易將產品清洗乾淨。請查看清潔表格，瞭解如何清潔所有零件。
切勿使用鋼絲絨、磨蝕性的清潔劑或侵蝕性的液體 (例如酒精、汽油或丙酮) 清潔本產品。
- 注意：所有可拆卸的零件均可放入洗碗機清洗，也可放在水龍頭下安全地清洗。

- 1 請關閉產品電源，並將插頭從牆上插座拔下。
- 2 打開鎖定扣夾。(圖 18)
- 3 將榨汁裝置從馬達座上推出。(圖 19)
- 4 自馬達座拆下果渣槽。(圖 20)
- 5 清空果渣槽，並置於水龍頭下沖洗。

拆卸並清潔榨汁裝置

- 1 從進料管取出進料棒。(圖 21)
- 2 從進料管取出莓果盤。(圖 22)
- 3 以逆時針方向轉動果汁壺嘴，直到箭頭 (◀) 指向「開啟」標示，然後將其從榨汁裝置取下。(圖 23)
- 4 取下並拆卸兩件式濾網。(圖 24)
- 5 取下榨汁螺芯。(圖 25)
- 6 以逆時針方向轉動果渣出水口，直到箭頭 (◀) 指向「開啟」標示，然後將其從榨汁裝置取下。(圖 26)

收納

- 1 將電源線捲繞在馬達座基座的電源線收納裝置上。(圖 27)
- 2 您可以將進料棒、果汁壺、果汁壺蓋及莓果盤收納到果渣槽。(圖 28)

回收

本產品使用壽命結束時，請勿與一般家庭廢棄物一併丟棄。請將本產品送至政府指定的回收站，此舉能為環保盡一份心力。

訂購配件

若要購買配件或備用零件，請造訪 www.shop.philips.com/service，或者洽詢您的飛利浦經銷商。您也可以聯絡您所在國家/地區的飛利浦客戶服務中心。

保固與支援

如果您需要資訊或支援，請造訪：www.philips.com/support，或另行參閱全球保證書。

疑難排解

本單元概述您使用本產品時最常遇到的問題。如果您無法利用以下資訊解決您遇到的問題，請造訪 www.philips.com/support，上面列有常見問題清單，或聯絡您所在國家/地區的客戶服務中心。

問題	解決方法
本產品無法運作。	本產品附有兩個安全鎖。如果榨汁裝置或果渣槽未正確放置在馬達座上，本產品將無法運作。請檢查這些零件是否已正確組裝 (請參閱「使用前準備」單元)，然而進行這些操作前，請先將本產品的電源關閉。
在前幾次使用時，馬達座將會散發出異味。	這是正常現象。如果果菜機在幾分鐘後仍舊持續發出這種味道，請檢查處理的食材量及處理時間。
榨汁裝置無法裝到馬達座。	檢查壺嘴是否已正確接上榨汁裝置。務請確認榨汁裝置的凸出部分已對準馬達座上的凹槽 (見圖 9)。
榨汁裝置阻塞。	按下預先清潔按鈕數秒鐘。如果榨汁裝置依然阻塞，則關閉產品電源，取下榨汁裝置並拆解所有零件，接著清除阻塞榨汁裝置的水果，然後減少處理的食材量。
HR1899/HR1897/ HR1896：電源指示燈閃爍。	榨汁裝置阻塞。按下預先清潔按鈕數秒鐘。如果榨汁裝置依然阻塞，則關閉產品電源，取下榨汁裝置並拆解所有零件，接著清除阻塞榨汁裝置的水果，然後減少處理的食材量。

简介

感谢您的惠顾，欢迎光临飞利浦！为了您能充分享受飞利浦提供的支持，请在 www.philips.com/welcome 上注册您的产品。这款飞利浦 Avance 慢速榨汁机可帮助您将果蔬的全部营养成分榨入杯中，让您每天尽享美味健康的果汁。创新技术让您可以榨取更多的果蔬汁，1 分钟内快速清洁产品。完全集成设计，占用空间更少，榨汁效果更出色。

基本说明 (图 1)

- A 榨汁装置
 - 1 推杆
 - 2 浆果盘
 - 3 加料管
 - 4 防滴漏按钮
 - 5 出汁口
 - 6 两段式黑色果汁滤清阀（滤清果汁）
 - 7 榨汁螺杆
 - 8 果渣出口
 - B 马达组件
 - 9 锁定夹
 - 10 带电源指示灯的开关按钮
 - 11 反转/预清洁按钮
 - 12 电源线
 - 13 电源线存储装置
 - 14 果渣储藏罐
 - 15 安全销
 - C 果汁杯（仅限于 HR1899/HR1897/HR1895）
 - 16 果汁杯
 - 17 果汁杯盖
- 未显示：灰色果汁滤清阀（仅限于 HR1899/HR1897/HR1896）

注意事项

使用本产品之前，请仔细阅读本使用说明书，并妥善保管以备日后参考。

危险

- 请勿将马达组件浸入水中或任何其他液体中。请勿在水龙头下冲洗且请勿用洗碗机清洗。

警告

- 在将产品连接电源之前，请检查产品底部所标电压是否与当地电源电压相符。
- 如果插头、电源线或其他部件已损坏，请勿使用本产品。如果电源线已损坏，必须由飞利浦、飞利浦授权的服务中心或同等资格的专业人员来更换，以免发生危险。
- 本产品仅限于家用。如果本产品使用不当、用于专业或半专业用途或未按用户手册中的说明进行操作，则本产品的保修将会失效，并且对于因此而造成的损失，飞利浦拒绝承担任何责任。
- 产品不建议由有肢体、感官或精神能力缺陷或缺少使用经验和知识的人（包括儿童）使用，除非有负责他们安全的人对他们进行与产品使用有关的监督或指导。
- 请照看好儿童，本产品不能用于玩耍。
- 将产品及其线缆放在儿童接触不到的地方。
- 榨汁机运转时，切勿将手指或其它物体伸入加料管。只有推杆可伸入加料管。
- 产品无人看管时或拆装、清洁之前，务必断开产品电源。
- 务必完全解开电源线后再打开产品。
- 切勿让儿童在无人看管的情况下使用本产品。

42 简体中文

警告

- 切勿使用其它制造商生产的或未经飞利浦特别推荐的附件或部件。如果您使用了此类附件或部件，则本产品的保修将会失效。
- 本产品一定要放置在稳定、平坦的水平表面上。
- 切勿在室外使用本产品。
- 避免接触活动部件。
- 确保正确组装所有部件后再打开产品。
- 仅当锁定夹处于锁定位置时才能使用产品。
- 只有在关闭产品且榨汁螺杆已经停转之后，才能打开锁定夹。
- 榨汁机正在运行时，不要将果渣储藏罐拿走。
- 将大块原料切成能放入加料管的小块。榨汁前，去除水果或蔬菜的硬核、果心、籽和厚皮。
- 按压推杆时不要太过用力，以免损坏。
- 食品的颜色可能会使部件变色。这是正常现象，不会影响产品的性能。
- 为优化产品的寿命，连续使用时间不要超过 30 分钟。

内置安全锁

产品配有内置式安全锁。马达组件上的两个安全锁可确保：仅当您将榨汁装置和果渣储藏罐正确置于马达组件上时才能打开产品。

电磁场 (EMF)

本飞利浦产品符合所有有关暴露于电磁场的适用标准和法规。

首次使用之前

首次使用产品前，请彻底清洁所有部件（请参阅“清洁”一章）。

注意：使用本产品之前，确保所有部件都已完全干燥。

使用准备

组装榨汁装置

务必完全解开电源线后再打开产品。

- 1 将果渣出口安装在榨汁装置上并顺时针转动，直至箭头 (◀) 指向“锁定”位置。(图 2)
- 2 将榨汁螺杆插入榨汁装置。(图 3)
- 3 组装两段式果汁滤清阀。(图 4)
- 4 将两段式果汁滤清阀安装在榨汁螺杆上。(图 5)

提示：使用黑色两段式果汁滤清阀滤清果汁。如果您喜欢带有更多纤维的稠果汁，则可使用灰色两段式滤清阀。

- 5 将出口安装在榨汁装置上并顺时针转动，直至箭头 (◀) 指向“锁定”位置。(图 6)
- 6 将浆果盘安装在加料管上。(图 7)

将榨汁装置安装在马达组件上

- 1 将组装好的榨汁装置安装在马达组件上，果渣出口安装在马达组件的开口上。(图 8)
- 2 将榨汁装置上的凸缘与马达组件中的凹槽对准。将榨汁装置滑至马达组件上，直至其锁定到位。(图 9)
- 3 将榨汁装置按到马达组件上 (1)，然后合上锁定夹 (2)。(图 10)

注意：如果无法合上锁定夹，请检查榨汁装置是否正确放置：榨汁装置上的凸缘是否进入马达组件的凹槽。

4 将果渣储藏罐滑入马达组件中。(图 11)

使用本产品

只有榨汁装置和果渣出口均已正确组装且锁定夹已正确锁定，产品才能工作。

1 将水果和/或蔬菜洗净。如有必要，将其切成能放入加料管的小块。

2 将果汁杯或玻璃杯放在出汁口下方。(图 12)

3 按开/关按钮启动产品。(图 13)

4 将小块水果或蔬菜放入加料管中，用推杆轻轻下压至榨汁螺杆。(图 14)

切勿将手指或物体伸入加料管或榨汁装置中。

5 当汁液不再流出时，关闭产品并等到榨汁螺杆停止旋转。

6 按下预清洁按钮，清除榨汁装置中的最后一滴果汁。(图 15)

7 为防止果汁滴到桌上，请按防滴漏按钮。(图 16)

提示

- 请使用新鲜果蔬，因为其中含有更多汁液。菠萝、甜菜根、芹菜茎、苹果、黄瓜、胡萝卜、菠菜、瓜类、西红柿、石榴和葡萄特别适合用榨汁机榨汁。
- 无需去掉薄皮。仅需去掉不可食用的果皮即可，例如橘子皮、菠萝皮、猕猴桃皮、瓜皮以及生甜菜根皮。
- 如果您要对桃、李子或樱桃等带硬核的水果榨汁，请先去除硬核再榨汁。
- 榨苹果汁时，果汁的稀稠取决于苹果的品种。苹果含的果汁越多，榨出的果汁越稀。请根据您的喜好选择苹果的品种。
- 苹果汁会很快变黄，若要减缓变黄时间，可滴几滴柠檬汁。
- 本榨汁机可加工香蕉、芒果等富含淀粉的水果。您可以直接通过加料管加入奶或水。
- 榨汁机也可以加工柑橘类水果，但要将柑橘类水果的白丝需要去掉，否则会有苦味。

清洁(图 17)

- 如果使用后立即清洁产品，则更容易清洁。查看清洁表可了解所有部件的清洁方法。切勿使用钢丝绒、研磨性清洁剂或腐蚀性液体(例如酒精、汽油或丙酮)来清洁产品。

注意：所有可拆卸部件均可用洗碗机清洗，并可放心在水龙头下清洗。

1 关闭产品并从电源插座上拔下插头。

2 打开锁定夹。(图 18)

3 将榨汁装置滑出马达组件。(图 19)

4 从马达组件上取下果渣储藏罐。(图 20)

5 倒空果渣储藏罐，在水龙头下冲洗。

拆卸并清洁榨汁装置

1 从加料管中取出推杆。(图 21)

2 从加料管上取下浆果盘。(图 22)

3 逆时针转动出汁口，直至箭头(◀)指向“开”标示，然后将其从榨汁装置上取下。(图 23)

4 取出两段式果汁滤清阀并将其拆开。(图 24)

5 取出榨汁螺杆。(图 25)

6 逆时针转动果渣出口，直至箭头(◀)指向“开”标示，然后将其从榨汁装置上取下。(图 26)

存储

- 1 将电源线缠绕在马达组件底座中的电源线存储装置上。(图 27)
- 2 您可以将推杆、果汁杯及盖和浆果盘存放在果渣储藏罐中。(图 28)

回收

弃置产品时，请不要将其与一般生活垃圾扔在一起，应将其交给指定的回收中心，这样做有助于保护环境。

订购附件

要购买附件和备件，请访问 www.shop.philips.com/service 或联系飞利浦经销商。您也可以联系您所在国家/地区的飞利浦客户服务中心。

保修和支持

如果您需要信息或支持，请访问 www.philips.com/support 或阅读单独的全球保修卡。

故障种类和处理方法

本章归纳了使用本产品时最常见的一些问题。如果您无法根据以下信息解决问题，请访问 www.philips.com/support 查阅常见问题列表，或联系您所在国家/地区的客户服务中心。

问题	解决方法
产品不能工作。	产品配有两个安全销。如果榨汁装置或果渣储藏罐未正确安装在马达组件上，则产品不会工作。检查这些部件是否组装正确（请参阅“使用准备”一章），但检查前要先关闭产品。
最开始几次使用设备时，马达组件发出难闻的气味。	这并非异常现象。如果多次使用后，产品仍会发出此气味，则检查其加工量和加工时间。
榨汁装置无法安装到马达组件上。	检查出汁口是否正确安装在榨汁装置上。确保榨汁装置上的凸缘与马达组件中的凹槽对准（请参阅图 9）。
榨汁装置堵塞。	按预清洁按钮，持续几秒钟。如果榨汁装置仍堵塞，则关闭产品，取下榨汁装置并拆卸所有部件。取出堵塞榨汁装置的水果，然后减少加工量。
HR1899/HR1897/ HR1896：电源指示灯 闪烁。	榨汁装置堵塞。按预清洁按钮，持续几秒钟。如果榨汁装置仍堵塞，则关闭产品，取下榨汁装置并拆卸所有部件。取出堵塞榨汁装置的水果，然后减少加工量。

PHILIPS

产品 : 飞利浦慢汁机
 型号 : HR1895
 额定电压 : 220V~
 额定频率 : 50Hz
 额定输入功率: 190 W
 生产日期 : 请见产品本体
 产地 : 中国广东深圳



飞利浦(中国)投资有限公司
 上海市天目西路218号1602-1605
 全国顾客服务热线: 4008 800 008

本产品根据国标GB4706.1-2005,
 GB4706.30-2008, 制造

PHILIPS

产品 : 飞利浦慢汁机
 型号 : HR1897
 额定电压 : 220V~
 额定频率 : 50Hz
 额定输入功率: 190 W
 生产日期 : 请见产品本体
 产地 : 中国广东深圳



飞利浦(中国)投资有限公司
 上海市天目西路218号1602-1605
 全国顾客服务热线: 4008 800 008

本产品根据国标GB4706.1-2005,
 GB4706.30-2008, 制造

PHILIPS

产品 : 飞利浦慢汁机
 型号 : HR1896
 额定电压 : 220V~
 额定频率 : 50Hz
 额定输入功率: 190 W
 生产日期 : 请见产品本体
 产地 : 中国广东深圳



飞利浦(中国)投资有限公司
 上海市天目西路218号1602-1605
 全国顾客服务热线: 4008 800 008

本产品根据国标GB4706.1-2005,
 GB4706.30-2008, 制造

保留备用

发行日期: 27/07/2015

واحد آب میوه گیری را نمی توان روی واحد موتور قرار داد. مطمئن شوید که لوله بطرز صحیح به دستگاه آب میوه گیری وصل شده است. مطمئن شوید که برآمدگیهای روی واحد آب میوه گیری با فرورفتگیهای روی واحد موتور در یک امتداد قرار دارند (به شکل ۹ مراجعه کنید).

واحد آب میوه گیری مسدود شده است. برای چند ثانیه، دکمه تمیز کردن اولیه را فشار داده و نگاه دارید. اگر واحد آب میوه گیری باز هم گرفته باشد، دستگاه را خاموش کرده، واحد آب میوه گیری را جدا کرده و قطعات آن را باز کنید. میوه ای که واحد آب میوه گیری را مسدود کرده است بیرون بیاورید. سپس مقادیر کمتری را در دستگاه وارد کنید.

مدلهای HR1899/HR1896/HR1897: چراغ روشن بودن دستگاه چشمک می زند. واحد آب میوه گیری مسدود شده است. برای چند ثانیه، دکمه تمیز کردن اولیه را فشار داده و نگاه دارید. اگر واحد آب میوه گیری باز هم گرفته باشد، دستگاه را خاموش کرده، واحد آب میوه گیری را جدا کرده و قطعات آن را باز کنید. میوه ای که واحد آب میوه گیری را مسدود کرده است بیرون بیاورید. به همین خاطر مقادیر کمتری را در دستگاه وارد کنید.

۳ محفظه تفاله را از واحد موتور جدا کنید (شکل ۱۹).

۴ محفظه تفاله را از واحد موتور جدا کنید (شکل ۲۰).

۵ محفظه تفاله را بیرون بکشید و آن را زیر شیر آب تمیز کنید.

جدا کردن قطعات و تمیز کردن واحد آب میوه گیری

۱ فشار دهنده را از لوله تغذیه بیرون بیاورید (شکل ۲۱).

۲ سینی توت را از لوله تغذیه جدا کنید (شکل ۲۲).

۳ بخش جمع آوری آب میوه را در جهت مخالف حرکت عقربه های ساعت بگردانید تا پیکان (◀) به طرف علامت 'open' (باز) قرار گیرد و آن را از واحد آب میوه گیری جدا کنید (شکل ۲۳).

۴ فیلتر دو قسمتی را بیرون بکشید و قطعات آن را باز کنید (شکل ۲۴).

۵ پیچ آب میوه گیری را باز کنید (شکل ۲۵).

۶ خروجی تفاله را در جهت مخالف حرکت عقربه های ساعت بگردانید تا پیکان (◀) به طرف علامت 'open' (باز) قرار گیرد و آن را از واحد آب میوه گیری جدا کنید (شکل ۲۶).

نگهداری

۱ سیم برق را به طور کامل در بخش نگهداری سیم که در پایه دستگاه تعبیه شده است بپیچانید (شکل ۲۷).

۲ می توانید فشار دهنده، پارچ آب میوه و در آن، سینی توت را در محفظه تفاله نگهداری کنید (شکل ۲۸).

بازیابی

دستگاه را مانند سایر زباله های خانگی دور نریزید، و آن را در محل های تعیین شده دور بریزید. با انجام این کار شما به حفظ محیط زیست کمک می کنید.

سفر اشیاء دادن لوازم

برای خرید لوازم جانبی یا قطعات یدکی از سایت اینترنتی www.shop.philips.com/service بازدید کرده یا به فروشگاه Philips مراجعه کنید. همچنین می توانید با مرکز مراقبت از مشتری در کشور خود تماس بگیرید.

ضمانت و پشتیبانی

اگر به اطلاعات یا پشتیبانی نیاز دارید لطفاً به سایت اینترنتی www.philips.com/support مراجعه کنید یا برگه جداگانه ضمانت جهانی را مطالعه کنید.

عیب یابی

این فصل مشکلات معمول که هنگام استفاده از دستگاه با آن مواجه می شوید را بطور خلاصه تشریح می کند. اگر نتوانستید با اطلاعات زیر مشکل را حل کنید برای مشاهده لیست سوالات معمول به نشانی www.philips.com/support مراجعه کنید یا با مرکز مراقبت از مشتری در کشور خود تماس بگیرید.

راه حل

مشکل

دستگاه کار نمی کند.

این دستگاه مجهز به یک دو بین ایمنی می باشد. اگر واحد آب میوه گیری یا محفظه تفاله به درستی روی واحد موتور قرار نگرفته باشند، دستگاه کار نخواهد کرد. بررسی کنید که این قطعات به روش صحیح سوار شده باشند، اما قبل از این کار دستگاه را خاموش کنید (به فصل "آماده کردن دستگاه برای استفاده" مراجعه کنید).

این کار غیر معمول نیست. اگر بعد از چند بار استفاده دستگاه باز هم این بو را تولید کرد، مقادیر موادی که آب آنها را می گیرید و زمان کار با دستگاه را بررسی کنید.

واحد موتور دفعات اولیه استفاده از دستگاه بوی ناخوشایندی را ساطع می کند.

پارچ را به طرز صحیح روی واحد موتور قرار دهید

- ۱ واحد آب میوه گیری سوار شده را روی واحد موتور قرار دهید. خروجی تفاله در روزنه واحد موتور قرار گرفته باشد (شکل ۸).
 - ۲ برآمدگی ها روی واحد آب میوه گیری را در مقابل فرورفتگی های واحد موتور قرار دهید. واحد آب میوه گیری را روی واحد موتور قرار دهید تا در جای خود قفل شود (شکل ۹).
 - ۳ واحد آب میوه گیری را روی واحد موتور قرار دهید (۱) و سپس بست را ببندید (۲) (شکل ۱۰).
- توجه: اگر بست را نتوانستید ببندید، بررسی کنید که واحد آب میوه گیری به طرز صحیح همراه با برآمدگیهای روی واحد آب میوه گیری در فرو رفتگیهای واحد موتور قرار گرفته باشد.
- ۴ محفظه تفاله را در واحد موتور جا بزنید (شکل ۱۱).

استفاده از دستگاه

- دستگاه فقط در صورتی کار می کند که خروجی آب میوه به طرز صحیح وصل شده باشد و بستها به طرز صحیح قفل شده باشند.
- ۱ میوه و سبزیجات را بشویید. در صورت لزوم، آنها را به قطعاتی که در لوله تغذیه دستگاه قرار گیرند، برش بزنید.
 - ۲ یک پارچ یا یک لیوان را زیر لوله قرار دهید (شکل ۱۲).
 - ۳ دکمه روشن/خاموش را برای روشن کردن دستگاه فشار دهید (شکل ۱۳).
 - ۴ قطعات میوه یا سبزیجات را در لوله تغذیه قرار دهید و به نرمی آنها را با استفاده از فشار دهنده بطرف پیچ آب میوه گیری فشار دهید (شکل ۱۴).
- هرگز انگشتان یا شینی را در لوله تغذیه یا واحد آب میوه گیری وارد نکنید.
- ۵ هنگامی که تمامی مواد فراوری شد و جریان آب میوه و متوقف گردید دستگاه را خاموش کنید و تا متوقف شدن شدن پیچ آب میوه گیری صبر کنید.
 - ۶ دکمه تمیز کردن اولیه را برای گفتن قطرات نهایی آب میوه از واحد آب میوه گیری فشار دهید (شکل ۱۵).
 - ۷ برای جلوگیری از چکه کردن آب میوه بر روی میز، دکمه توقف چکه را فشار دهید (شکل ۱۶).

نکات

- از میوه و سبزی تازه استفاده کنید چون دارای آب بیشتری می باشند. آناناس، چغندر، ساقه کرفس، سیب، خیار، هویج، اسفناج، خربزه، گوجه فرنگی، انارو انگور برای عملیات در آب میوه گیری مناسب می باشند.
- لزومی ندارد که پوستهای نازک را جدا کنید. فقط پوستهای ضخیمی که خورده نمی شوند مانند پرتغال، آناناس، کیوی، هندوانه و چغندر پخته نشده را جدا کنید.
- اگر بخواهید آب میوه های دارای هسته مانند هلو، آلو یا گیلاس را بگیرید، هسته را قبل از گرفتن آب جدا کنید.
- هنگامی که آب سیب می گیرید، بیاد داشته باشید که غلظت آب سیب به نوع سیبی که استفاده می کنید بستگی دارد. هر چه سیب آب دارتر باشد، آب میوه رقیقتر خواهد شد. نوعی از سیب را انتخاب کنید که آب میوه دلخواهتان را برایتان فراهم می کند.
- آب سیب بسرعت قهوه ای می شود. با چکاندن چند قطره آب لیمو این فرآیند را کندتر کنید.
- این دستگاه آب میوه گیری می تواند میوه های الیاف دار مانند موز و انبه را هم فراوری کند. می توانید شیر یا آب را مستقیماً از طریق لوله تغذیه بریزید.
- مرکبات را هم می توان با این آب میوه گیری عملیات کرد. پوست سفید مرکبات را بگیرید چون طعم آب میوه را تلخ می کنند.

تمیز کردن (شکل ۱۷)

- تمیز کردن دستگاه بلافاصله بعد از استفاده از آن ساده ترمی باشد. به جدول تمیز کردن مراجعه کنید تا کلیه قطعاتی که باید تمیز شوند را شناسایی کنید.

هرگز از صفحات ساینده، مواد پاک کننده ساینده یا مایعات قوی مانند الکل، بنزین یا استن برای تمیز کردن دستگاه استفاده نکنید.

توجه: کلیه قطعات جدا شونده را می توان در ماشین ظرف شویی شست و می توان آنها را زیر شیر آب با اطمینان خاطر شست.

- ۱ دستگاه را خاموش کرده و دوشاخه را از پریز خارج کنید.
- ۲ بست قفل کردن را باز کنید (شکل ۱۸).

- همیشه در صورتی که دستگاه را بدون مراقب رها می کنید یا قبل از سوار کردن قطعات، باز کردن قطعات یا تمیز کردن دستگاه، دوشاخه آن را از پریز بیرون بکشید.
- قبل از روشن کردن دستگاه همیشه سیم برق را کاملا باز کنید.
- هرگز اجازه ندهید که دستگاه بدون مراقب کار کند.

احتیاط

- هرگز از لوازم و قطعات سایر تولید کنندگان که بطور خاص از طرف Philips توصیه نشده اند استفاده نکنید. چنانچه از این لوازم یا قطعات استفاده کنید، ضمانت شما باطل می شود.
- همیشه دستگاه را روی سطحی پایدار، تراز و افقی قرار دهید.
- از دستگاه در محیط خارج از خانه استفاده نکنید.
- از تماس با قطعات متحرک جلوگیری بعمل آورید.
- قبل از روشن کردن دستگاه مطمئن شوید که تمامی قطعات درست نصب شده اند.
- فقط هنگامی که بستهای قفل شدن در وضعیت قفل باشند از دستگاه استفاده کنید.
- اهرم قفل کردن را فقط بعد از خاموش کردن دستگاه و متوقف شدن چرخش پیچ آب میوه گیری باز کنید.
- زمانی که دستگاه کار می کند محفظه تفاله را جدا نکنید.
- قطعات بزرگ را به قطعاتی که در لوله تغذیه دستگاه قرار گیرند، برش بزنید. سنگها، دانه ها و پوستهای ضخیم میوه ها یا سبزیجات را قبل از آب گرفتن جدا کنید.
- از وارد کردن فشار بیش از حد به فشار دهنده خودداری تا صدمه به دستگاه وارد نشود.
- رنگهای غذایی ممکن است رنگ قطعات را تغییر دهند. این مسئله عادی است و روی عملکرد دستگاه تاثیر نمی گذارد.
- برای افزودن عمر دستگاه از آن به صورت ممتد بیش از ۲۰ دقیقه استفاده نکنید.

قفل ایمنی داخلی

این دستگاه مجهز به یک سیستم قفل ایمنی می باشد. دو بین ایمنی که در واحد موتور قرار دارند باعث می شوند که فقط دستگاه در صورتی که واحد آب میوه گیری روی آن قرار داده شده باشد و محفظه تفاله روی واحد موتور به صورت صحیح قرار داده شده باشد، روشن شود.

میدانهای الکترومغناطیسی (EMF)

این دستگاه Philips با کلیه استانداردها و مقررات مربوط به تشعشعات میدانهای الکترومغناطیسی مطابقت دارد.

قبل از اولین استفاده

کلیه قطعات را قبل از اولین استفاده بطور کامل تمیز کنید (به فصل "تمیز کردن" مراجعه کنید).
توجه: قبل از شروع استفاده از دستگاه مطمئن شوید که تمام قطعات آن خشک می باشند.

آماده ساختن دستگاه برای استفاده

سوار کردن واحد آب میوه گیری

قبل از روشن کردن دستگاه همیشه سیم برق را کاملا باز کنید.

- ۱ خروجی تفاله به واحد آب میوه گیری را وصل کرده و آن را در جهت حرکت عقربه های ساعت بگردانید تا پیکان (۱) در جهت علامت 'locked' قرار بگیرد. (شکل ۲)
 - ۲ پیچ آب میوه گیری را در واحد موتور جا بزنید (شکل ۳).
 - ۳ دو بخش فیلتر را سوار کنید (شکل ۴).
 - ۴ فیلتر دو قسمتی را روی پیچ آب میوه گیری جا بزنید (شکل ۵).
- نکته: از فیلتر مشکی دو قسمتی برای صاف کردن آب میوه استفاده کنید. اگر ترجیح می دهید که آب میوه کدر باشد و فیبر بیشتری در آن باشد، از فیلتر خاکستری دو قسمتی استفاده کنید.
- ۵ لوله را به واحد آب میوه گیری وصل کرده و آن را در جهت حرکت عقربه های ساعت بگردانید تا پیکان (۱) در جهت علامت 'locked' قرار بگیرد (شکل ۶).
 - ۶ سینی توت را روی لوله تغذیه قرار دهید (شکل ۷).

بخاطر این خرید به شما تبریک می‌گوییم و به Philips خوش آمدید! برای استفاده کامل از پشتیبانی که Philips ارائه می‌کند، دستگاه خود را در www.philips.com/welcome ثبت کنید.

دستگاه آب میوه گیری کند Philips Avance به شما امکان می‌دهد تمامی مواد مفدی میوه‌ها و سبزیجات را گرفته و در لیوان شما بریزد تا بتوانید هر روز از آب میوه خوش مزه و سالم لذت ببرید. این فناوری خلایق به شما امکان می‌دهد حداکثر آب میوه و سبزیجات را گرفته و به سرعت دستگاه را در کم‌تر از دقیقه تمیز کنید. طرح کاملاً یکپارچه آن به نحوی طراحی شده است که فضای اندکی را اشغال کرده و بهترین نتیجه را به شما ارائه نماید.

شرح کلی (شکل ۱)

- A
 - واحد آب میوه گیری
 - 1 فشار دهنده
 - 2 سپینی توت
 - 3 لوله تغذیه
 - 4 متوقف کننده چکه
 - 5 لوله
 - 6 فیلتر مشکی مشکی برای صاف کردن آب میوه
 - 7 پیچ آب میوه گیری
 - 8 خروجی تفاله
 - B
 - واحد موتور
 - 9 بست قفل کننده
 - 10 دکمه روشن/خاموش همراه با چراغ روشن بودن دستگاه
 - 11 دکمه برعکس/تمیز کردن اولیه
 - 12 سیم برق
 - 13 بخش ذخیره سیم
 - 14 ظرف تفاله
 - 15 پینهای ایمنی
 - C
 - پارچ (فقط مدل‌های HR1896/HR1897/HR1899)
 - 16 پارچ آب میوه
 - 17 درپارچ آب میوه
- نشان داده نشده است: فیلتر دو تکه خاکستری برای فیبر آب میوه (فقط مدل‌های HR1896/HR1897/HR1899)

مهم

این راهنمای کاربر را قبل از استفاده از دستگاه با دقت بخوانید و آنها را در محلی برای مراجعات آینده نگهداری کنید.

خطر

- واحد موتور را در آب یا هر گونه مایع دیگر فرو نبرید. واحد موتور را زیر شیر آب نگه‌دارید و آن را در ماشین ظرفشویی قرار ندهید.

هشدار

- قبل از اتصال دستگاه به برق دقت کنید که ولتاژ مشخص شده روی دستگاه با برق محل هماهنگی داشته باشد.
- از دستگاه در صورت آسیب دیدگی دوشاخه، سیم برق یا سایر قطعات استفاده نکنید. اگر سیم برق صدمه دیده باشد باید Philips یا مرکز خدمات مجاز توسط شرکت Philips یا افرادی تایید شده دیگر برای اجتناب از ایجاد خطر، تعویض نمایند.
- این دستگاه فقط برای استفاده خانگی طراحی شده است. اگر از دستگاه درست استفاده نشود یا برای مقاصد حرفه‌ای یا نیمه حرفه‌ای از آن بنحوی برخلاف آنچه که در دستورالعمل‌های ارائه شده در این راهنمای کاربر قید شده است استفاده کرد، ضمانت دستگاه باطل خواهد شد و شرکت Philips هیچ گونه مسئولیتی در قبال خسارات وارده را بر عهده نمی‌گیرد.
- این دستگاه برای استفاده توسط اشخاصی که دارای مشکلات بدنی، حسی یا ذهنی (کودکان را هم شامل می‌شود) یا افرادی فاقد تجربه، دانش کافی می‌باشند طراحی نشده است، مگر این افراد تحت نظارت فردی مسئول قرار داشته یا استفاده از دستگاه را از این افراد فرا گیرند.
- کودکان باید تحت مراقبت قرار داشته باشند تا مطمئن شوید که با دستگاه بازی نمی‌کنند.
- دستگاه و سیم برق آن را از دسترس کودکان دور نگاه دارید.
- هرگز انگشتان خود یا شئی را در زمانی که دستگاه کار می‌کند در لوله تغذیه وارد نکنید. فقط از فشار دهنده برای این منظور استفاده کنید.

٣ لف وعاء تجميع العصير عكس اتجاه عقارب الساعة حتى يشير السهم (◀) إلى مؤشر "فتح" وانزعه من وحدة العصر. (شكل ٢٣)

٤ انزع الفلتر المؤلف من جزئين وفكه (شكل ٢٤).

٥ انزع مسمار العصر (شكل ٢٥).

٦ لف منفذ اللب والبذور عكس اتجاه عقارب الساعة حتى يشير السهم (◀) إلى مؤشر "فتح" وانزعه من وحدة العصر (شكل ٢٦).

التخزين

١ لف السلك الكهربائي حول مكان تخزين السلك الموجود في قاعدة وحدة الموتور (شكل ٢٧).

٢ يمكن تخزين الضاغطة وإبريق العصير والغطاء وصينية التوت في وعاء اللب والبذور (شكل ٢٨).

إعادة التدوير

لا تتخلص من الجهاز مع النفايات المنزلية العادية عند نهاية فترة استخدامه، ولكن قم بتسليمه إلى نقطة تجميع رسمية لإعادة تدويره. فأنت تساعد من خلال القيام بهذا الإجراء في الحفاظ على البيئة.

طلب الملحقات

لشراء الملحقات أو قطع الغيار، يُرجى زيارة الموقع www.shop.philips.com/service أو توجه إلى موزع شركة Philips. ويمكنك أيضاً الاتصال بمركز رعاية المستهلك التابع لشركة Philips في بلدك.

الضمان والدعم

إذا كنت بحاجة إلى معلومات أو دعم، يرجى زيارة www.philips.com/support أو الاطلاع على كتيب الضمان العالمي المنفصل.

استكشاف الأعطال وإصلاحها

يلخص هذا الفصل المشكلات العامة التي يمكن أن تواجهك مع استخدام الجهاز. وإذا لم تتمكن من حل المشكلة باستخدام المعلومات الواردة أدناه، يُرجى زيارة www.philips.com/support للحصول على قائمة بالأسئلة الشائعة أو اتصل بمركز رعاية المستهلك في بلدك.

الحل

المشكلة

الجهاز لا يعمل. هذا الجهاز مزود بمسمارين أمان. لن يعمل الجهاز إذا لم يتم تركيب وحدة العصر أو وعاء اللب والبذور بصورة صحيحة على وحدة الموتور. تأكد من تركيب هذه القطع بشكل صحيح (انظر الفصل "التجهيز للاستخدام") ولكن عليك أن توقف تشغيل الجهاز قبل البدء في ذلك.

تنبعث رائحة كريهة من وحدة الموتور في المرات القليلة الأولى من استخدام الجهاز. يُعد ذلك أمراً طبيعياً. إذا استمر الجهاز في إصدار هذه الرائحة بعد مرات قليلة، تحقق من كميات المواد التي يتم تحضيرها وأوقات التحضير.

يتعذر وضع وحدة العصر على وحدة الموتور. تأكد من تركيب البيزوبز بالشكل الملائم في وحدة العصر. تأكد من ضبط البروزات الموجودة على وحدة العصر مع التجويفات في وحدة الموتور (انظر الشكل ٩).

تمت إعاقة وحدة العصر. اضغط على زر ما قبل التنظيف لبضع ثوان. إذا كانت وحدة العصر لا تزال معاقة، أوقف تشغيل الجهاز وانزع وحدة العصر وركب كل الأجزاء. أزل الفاكهة التي تعيق وحدة العصر. ثم حضر كمية أصغر.

تمت إعاقة وحدة العصر. اضغط على زر ما قبل التنظيف لبضع ثوان. إذا كانت وحدة العصر لا تزال معاقة، أوقف تشغيل الجهاز وانزع وحدة العصر وركب كل الأجزاء. أزل الفاكهة التي تعيق وحدة العصر. ثم حضر كمية أصغر. /HR1897/HR1899
HR1896: يومض ضوء التشغيل.

ملاحظة: إذا تعذر إغلاق مشبك القفل، تحقق مما إذا كانت وحدة العصر موضوعة بصورة صحيحة مع تركيب البيروزات الموجودة في وحدة العصر في التجويفات بوحدة الموتور.

٤ ضع وعاء اللب في وحدة الموتور (شكل ١١).

استخدام الجهاز

لا يعمل الجهاز إلا عند تجميع أجزاء وحدة العصر ومنفذ البذور واللب بصورة صحيحة وقفل مشبك القفل بصورة سليمة.

١ اغسل الفاكهة و/أو الخضروات. إذا لزم الأمر، قم بتقطيع المكونات إلى قطع مناسبة لإدخالها في أنبوب التغذية.

٢ ضع إبريق أو كوب تحت البزبوز (شكل ١٢).

٣ اضغط على زر التشغيل/إيقاف التشغيل لتشغيل الجهاز (شكل ١٣).

٤ ضع قطع الفاكهة أو الخضروات في أنبوب التغذية واضغط عليها برفق إلى أسفل جهة مسمار العصر باستخدام الضاغطة (شكل ١٤).

لا تقدم أبدًا على إدخال إصبعك أو أي أداة أخرى في أنبوب التغذية أو وحدة العصر.

٥ عند توقف العصير عن التدفق، أوقف تشغيل الجهاز وانتظر حتى يتوقف مسمار العصر عن الدوران.

٦ اضغط زر ما قبل التنظيف للتخلص من قطرات العصير الأخيرة من وحدة العصر (شكل ١٥).

٧ لمنع تقطير العصير على الطاولة، اضغط إيقاف التقطير (شكل ١٦).

نصائح

- استخدم الفاكهة والخضروات الطازجة لأنها تحتوي على كميات أكبر من العصير. يمكن استخدام هذه العصارة بالشكل الأمثل لعصر الأناناس، وجذور البنجر، وأعواد الكرفس، والتفاح، والخيار، والجزر، والسبانخ، والشمام، والطماطم والرمان والبرتقال والعنب على وجه الخصوص.
- لن تحتاج إلى تقشير الفاكهة أو الخضروات. ما عليك سوى إزالة القشر السميك الذي لن يتم تناوله مثل قشر البرتقال والأناناس والكايوي والشمام والبنجر غير المسلوق.
- إذا أردت عصر الفواكه التي تحتوي على نوى مثل الخوخ أو البرقوق أو الكرز، قم بإزالة النوى أولاً قبل البدء في العصر.
- عند تحضير عصير التفاح، تذكر أن قوام عصير التفاح يتوقف على نوع ثمار التفاح التي تستخدمها. كلما كانت ثمرة التفاح تحتوي على كمية عصير أكبر، صار قوام العصير خفيفاً. اختر نوع التفاح الذي ينتج عنه نوع العصير المفضل بالنسبة لك.
- يتحول عصير التفاح إلى اللون البني بسرعة كبيرة جداً. لكن يمكنك القضاء على هذه العملية بإضافة بعض قطرات عصير الليمون.
- يمكن عصر الفواكه المحتوية على نشويات مثل الموز والمانجو في هذه العصارة. ويمكن إضافة الحليب أو الماء مباشرة عبر أنبوب التغذية.
- يمكن تحضير الفواكه الحمضية كذلك باستخدام العصارة ويلزم إزالة القشرة البيضاء من الفواكه الحمضية لأن مذاقها لاذع.

التنظيف (شكل ١٧)

- يسهل تنظيف الجهاز إذا تم التنظيف بعد الاستخدام مباشرة. انظر جدول التنظيف للتعرف على كيفية تنظيف كل الأجزاء.

لا تستخدم سلك تنظيف الصحون أو مواد التنظيف الكاشطة أو أي سوائل قوية مثل الكحول أو المشتقات البترولية أو الأسييتون في تنظيف الجهاز.

ملاحظة: يمكن غسيل كل الأجزاء القابلة للفق في غسالة الصحون ويمكن تنظيفها تحت الصنبور بأمان.

١ أوقف تشغيل الجهاز وانزع القابس من مقبس الحائط.

٢ افتح مشبك القفل (شكل ١٨).

٣ انزع وحدة العصر من وحدة الموتور (شكل ١٩).

٤ أخرج وعاء اللب من وحدة الموتور (شكل ٢٠).

٥ أفرغ وعاء اللب والبذور وحم بتنظيفه تحت الصنبور.

فك أجزاء وحدة العصر وتنظيفها

١ انزع الضاغطة من أنبوب التغذية (شكل ٢١).

٢ انزع صينية التوت من أنبوب التغذية (شكل ٢٢).

تنبيه

- لا تُقدم أبدًا على استخدام أية ملحقات أو أجزاء من شركات تصنيع أخرى غير التي توصي بها شركة Philips تحديدًا. فإذا استخدمت مثل هذه الملحقات أو الأجزاء، فسيصبح ضمانك لاغياً.
- ضع الجهاز دائمًا على سطح ثابت ومستو وأفقي.
- لا تستخدم الجهاز خارج المنزل.
- تفادي تلامس الأجزاء المتحركة.
- تأكد من تركيب جميع القطع بإحكام قبل تشغيل الجهاز.
- استخدم الجهاز فقط عندما يكون مشبك القفل في وضع القفل.
- افتح مشبك القفل فقط بعد إيقاف تشغيل الجهاز وتوقف مسمار العصر عن الدوران.
- لا تفك وعاء اللب أثناء تشغيل الجهاز.
- قم بتقطيع المكونات الكبيرة إلى قطع مناسبة لإدخالها في أنبوب التغذية. انزع النوى والقلب والبذور والقشرة السميكة من الفواكه والخضروات قبل العصر.
- لا تضغط بشدة على الضاغطة لتجنب التلف.
- قد تؤدي ألوان الطعام إلى تشويه لون الأجزاء. يعتبر ذلك طبيعيًا ولا يؤثر على أداء الجهاز.
- لإطالة العمر الافتراضي للجهاز لا تستخدمه بصورة مستمرة أكثر من ٣٠ ساعة.

قفل الأمان المضمن

هذا الجهاز مزود بقفل أمان مضمن. وثمة مسمارين أمان على وحدة الموتور لضمان تشغيل الجهاز فقط في حالة وضع وحدة العصر ووعاء اللب والبذور على وحدة الموتور بصورة سليمة.

المجال الكهرومغناطيسي (EMF)

يتطابق هذا الجهاز من شركة Philips مع جميع المعايير والقوانين السارية فيما يتعلق بالتعرض للمجالات الكهرومغناطيسية.

قبل الاستخدام لأول مرة

يجب تنظيف كل الأجزاء بشكل جيد قبل استخدام الجهاز لأول مرة (انظر فصل "التنظيف").
ملاحظة: تأكد من جفاف جميع الأجزاء بشكل تام قبل البدء في استخدام الجهاز.

التجهيز للاستخدام**تجميع أجزاء وحدة العصر**

قم دومًا بفرد أسلاك الجهاز بالكامل قبل تشغيل الجهاز.

- ١ وصل منفذ البذور واللب بوحدة العصر ولها مع اتجاه عقارب الساعة حتى يشير السهم (◀) إلى المؤشر "قفل" (شكل ٣).
 - ٢ أدخل مسمار العصر في وحدة العصر (شكل ٣).
 - ٣ جمع جزئي الفلتر (شكل ٤).
 - ٤ ضع الفلتر المكون من جزئين فوق مسمار العصر (شكل ٥).
- نصيحة: استخدم الفلتر الأسود من جزئين للحصول على عصير صافي. في حالة تفضيل عصيره مزيد من الألياف استخدم الفلتر الرمادي المؤلف من جزئين.
- ٥ وصل البيزوبو بوحدة العصر ولها مع اتجاه عقارب الساعة حتى يشير السهم (◀) إلى المؤشر "قفل" (شكل ٦).
 - ٦ ضع صينية التوت على أنبوب التغذية (شكل ٧).

وضع وحدة العصر على وحدة الموتور

- ١ ضع وحدة العصر بعد تجميع أجزائها على وحدة الموتور مع تركيب منفذ البذور واللب في الفتحة على وحدة الموتور (شكل ٨).
- ٢ اضبط البروزات الموجودة على وحدة العصر مع التجويفات في وحدة الموتور. حرك وحدة العصر على وحدة الموتور حتى تثبت في مكانها (شكل ٩).
- ٣ اضغط وحدة العصر على وحدة الموتور (١) ثم أغلق مشبك القفل (٢) (شكل ١٠).

هنيئًا لك على شراء هذا المنتج ومرحبًا في عالم Philips! للاستفادة الكاملة من الدعم الذي تقدمه Philips، قم بتسجيل منتجك على www.philips.com/welcome.

تساعد تلك العصارة البطيئة Philips Avance في الحصول على كل فوائد الفواكه والخضروات حتى يتسنى لك التمتع بعصائر شهية وصحية يوميًا. وتسمح تقنياتها المبتكرة باستخلاص أقصى ما يمكن الاستفادة منه من الفواكه والخضروات وكذلك تنظيف الجهاز بسرعة في أقل من دقيقة. لقد تم تطوير التصميم المدمج بالكامل بحيث تشغل حيزًا قليلًا وتحقق نتائج رائعة.

الوصف العام (شكل 1)

- A وحدة العصير
 - 1 الضاغطة
 - 2 صينية التوت
 - 3 أنبوب التغذية
 - 4 إيقاف التقطير
 - 5 بزبوز
 - 6 فلتر أسود من جزئين للحصول على عصير صافي
 - 7 مسمار العصير
 - 8 منفذ اللب والبذور
 - B وحدة المحرك
 - 9 مشبك القفل
 - 10 زر التشغيل / الإيقاف مزود بمصباح التشغيل
 - 11 زر التشغيل العكسي / ما قبل التنظيف
 - 12 سلك التيار الكهربائي
 - 13 المكان المخصص لتخزين السلك
 - 14 وعاء اللب والبذور
 - 15 مسامير الأمان
 - C إبريق (طرز HR1895/HR1897/HR1899 فقط)
 - 16 إبريق العصير
 - 17 غطاء إبريق العصير
- غير معروض: فلتر رمادي من جزئين للعصير المحتوي على ألياف (طرز HR1896/HR1897/HR1899 فقط)

هام

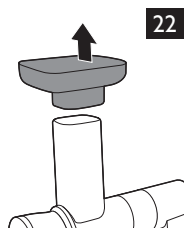
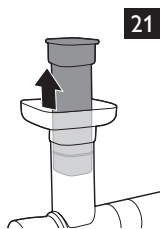
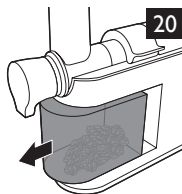
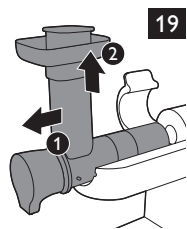
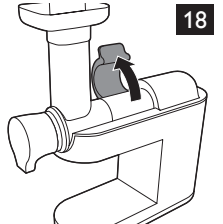
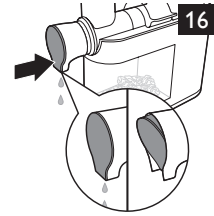
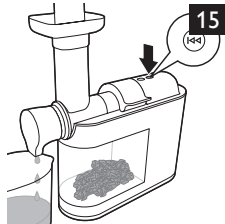
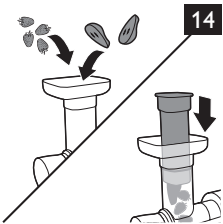
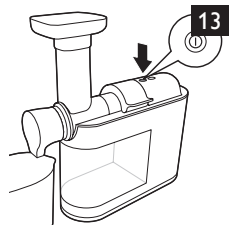
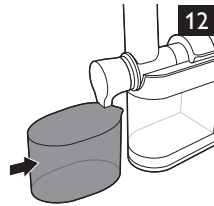
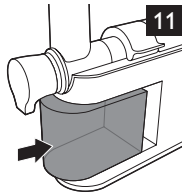
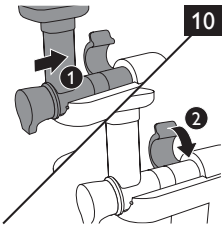
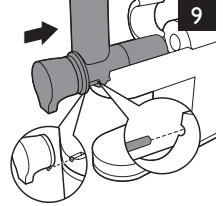
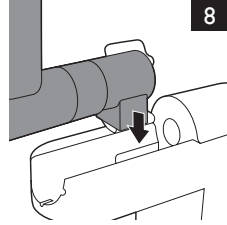
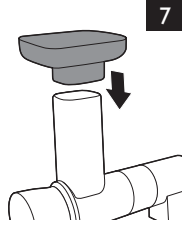
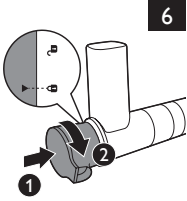
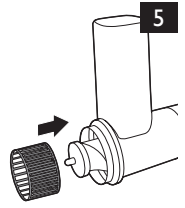
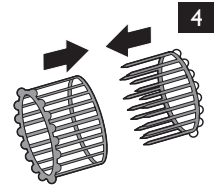
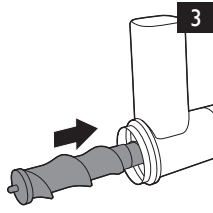
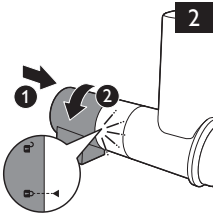
يرجى قراءة دليل المستخدم هذا بعناية قبل استخدام الجهاز والاحتفاظ به للرجوع إليه في المستقبل.

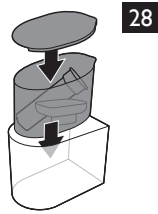
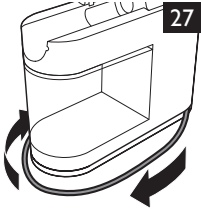
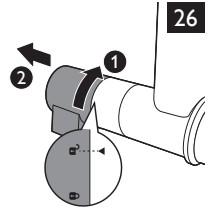
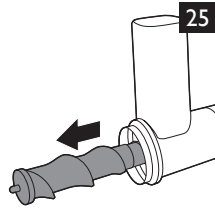
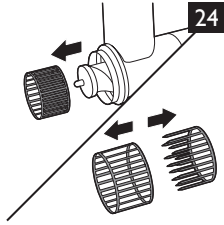
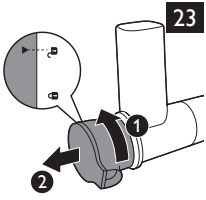
خطر

- لا تحاول مطلقًا غمر وحدة الموتور في الماء أو أي سائل آخر. لا تشطفها تحت الصنبور ولا تنظفها في غسالة الصحون.

تحذير

- تأكد من أن درجة الفولتية الموضحة على قاعدة الجهاز تتوافق مع فولتية التيار الكهربائي المحلي قبل توصيل الجهاز.
- تقادي استخدام الجهاز في حال تلف سلك التيار الكهربائي أو القابس أو أي أجزاء أخرى. إن تلف سلك التيار الكهربائي، فيجب استبداله بمعرفة شركة Philips أو مركز خدمة معتمد لدى شركة Philips أو أشخاص ذوي مؤهلات مناسبة لتجنب المخاطر.
- هذا الجهاز مصمم للاستخدام المنزلي فقط. في حال استخدام الجهاز بشكل غير سليم أو استخدامه في أغراض مهنية أو شبه مهنية أو في حال عدم استخدامه وفقًا للإرشادات الموضحة في دليل المستخدم، عندئذ يصبح الضمان لاغيًا ولن تقبل شركة Philips تحمل أية مسؤولية عن أي أضرار.
- لم يتم تصميم هذا الجهاز ليستخدمه الأشخاص (بمن فيهم الأطفال) ذوي الإعاقات الحسية أو العقلية أو الذين يفتقرون إلى الخبرة والمعرفة ما لم يحصلوا على الإشراف والتوجيه فيما يتعلق باستعمال هذا الجهاز من الشخص المسؤول عن سلامتهم.
- يجب مراقبة الأطفال للتأكد من عدم عبثهم بالجهاز.
- احفظ الجهاز والسلك الكهربائي الخاص به بعيدًا عن متناول الأطفال.
- لا تحاول وضع إصبعك أو أي أداة أخرى في أنبوب التغذية أثناء تشغيل الجهاز. فقط استخدم الضاغطة في هذا الغرض.
- افصل دائمًا الجهاز من الكهرباء قبل أن تتركه دون إشراف عليه وقبل أن تقوم بتركيبه أو تفكيكه أو تنظيفه.
- قم دومًا بفرد أسلاك الجهاز بالكامل قبل تشغيل الجهاز.
- لا تترك الجهاز يعمل بدون مراقبة.









www.philips.com



100% recycled paper
100% 循环再造纸

4203.064.6383.2